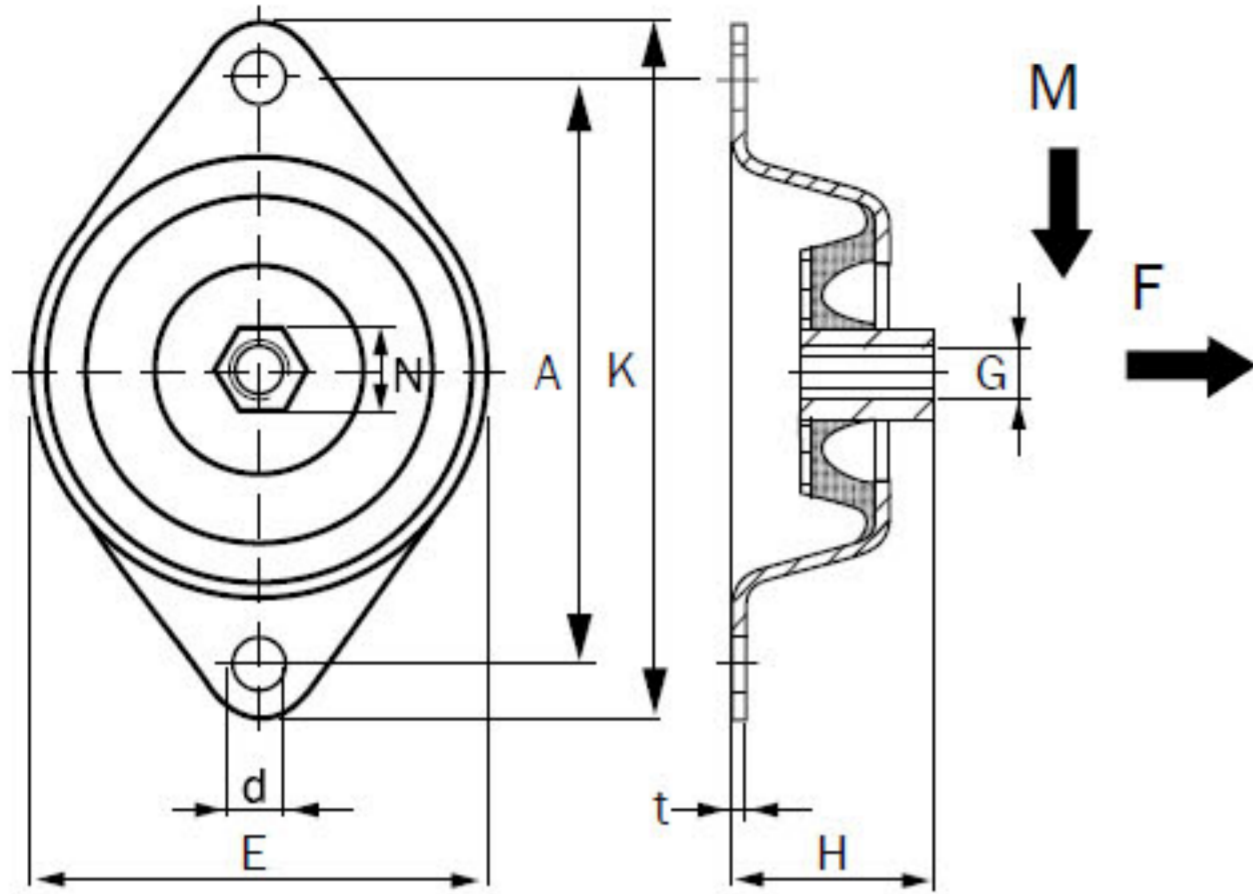
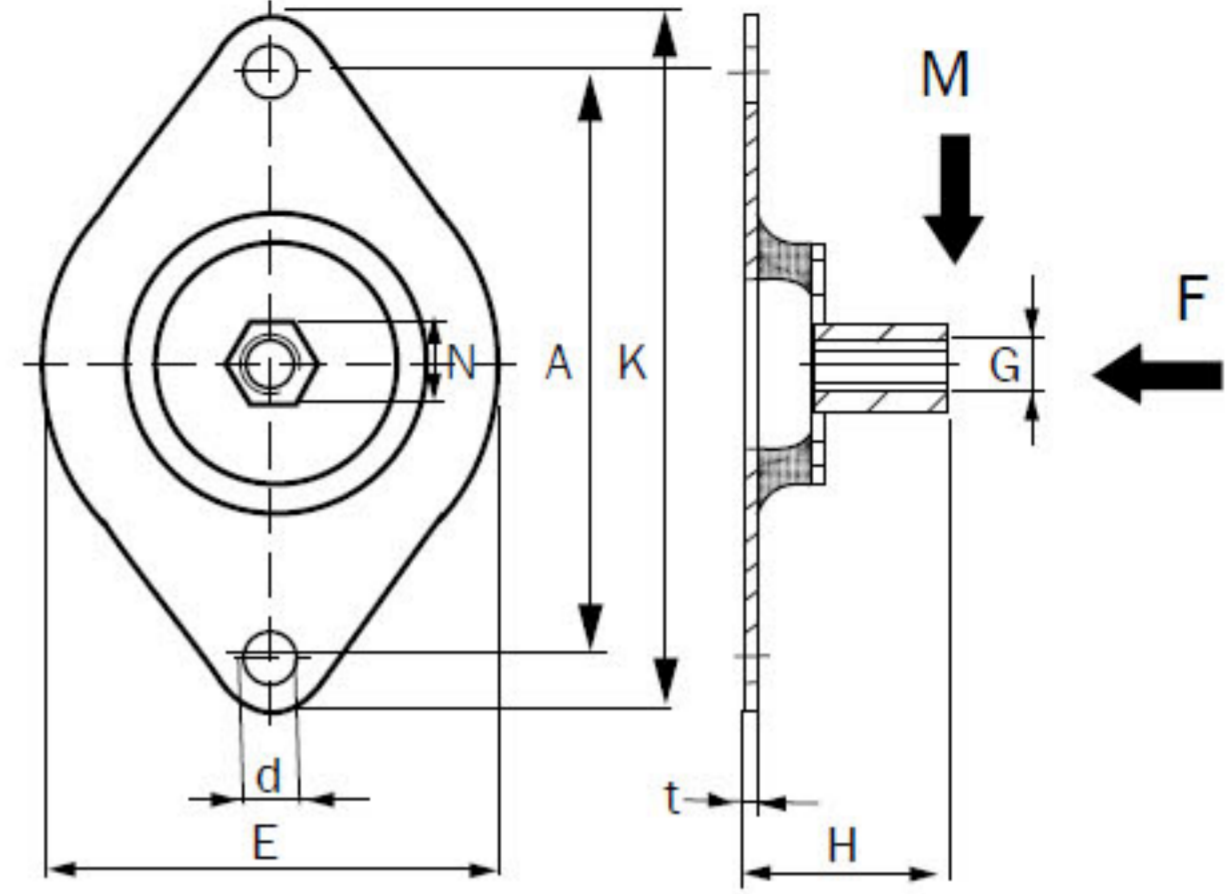


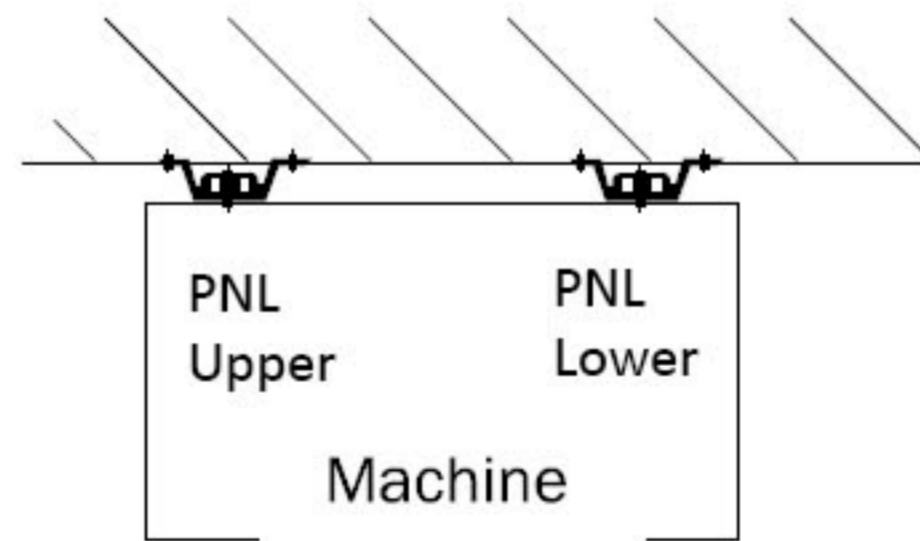
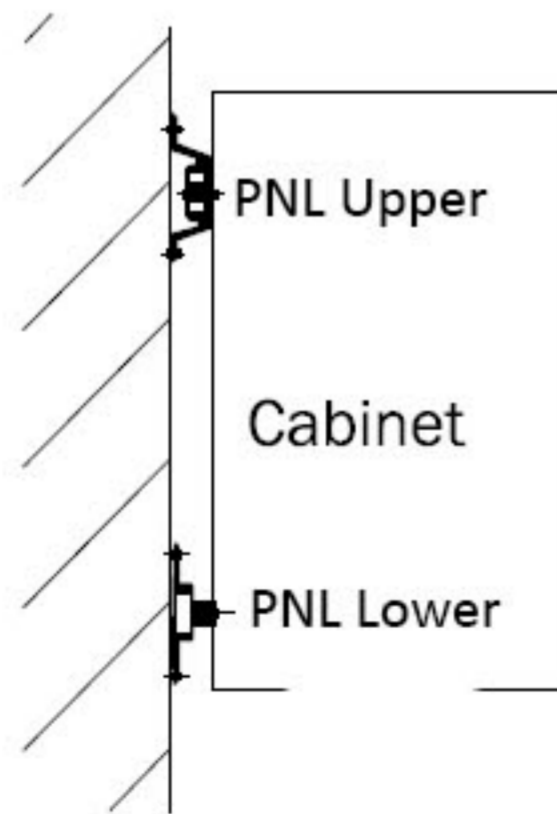
PNL Upper



PNL Lower



Mounting instructions



Type	Dimensions in mm										M-Max (Kg)		F-Max (Kg)		Weight (Kg)
	IRH	IRH	E	K	A	H	d	N	t	G	40°IRH	60°IRH	40°IRH	60°IRH	
PNL Upper	40	60	75	114	96	33	9	15	1.5	M8	14	25	30	70	0,149
PNL Lower	40	60	75	114	96	33	9	15	1.5	M8	14	25	30	70	0,104