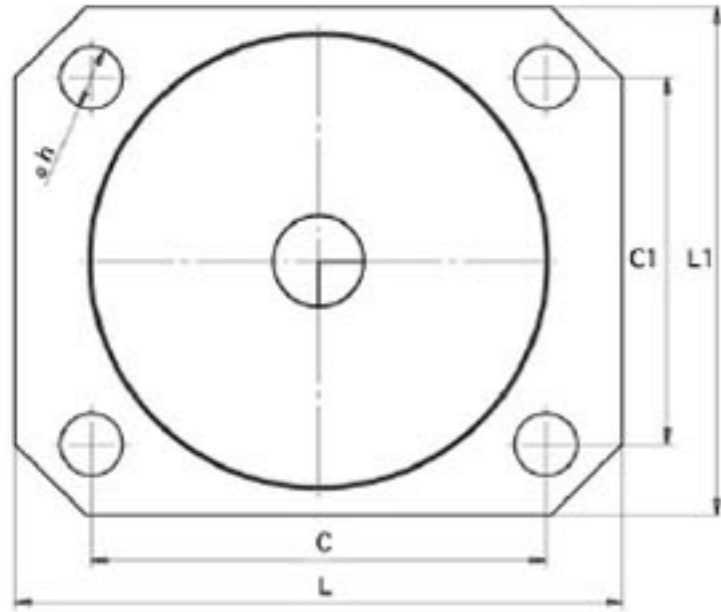
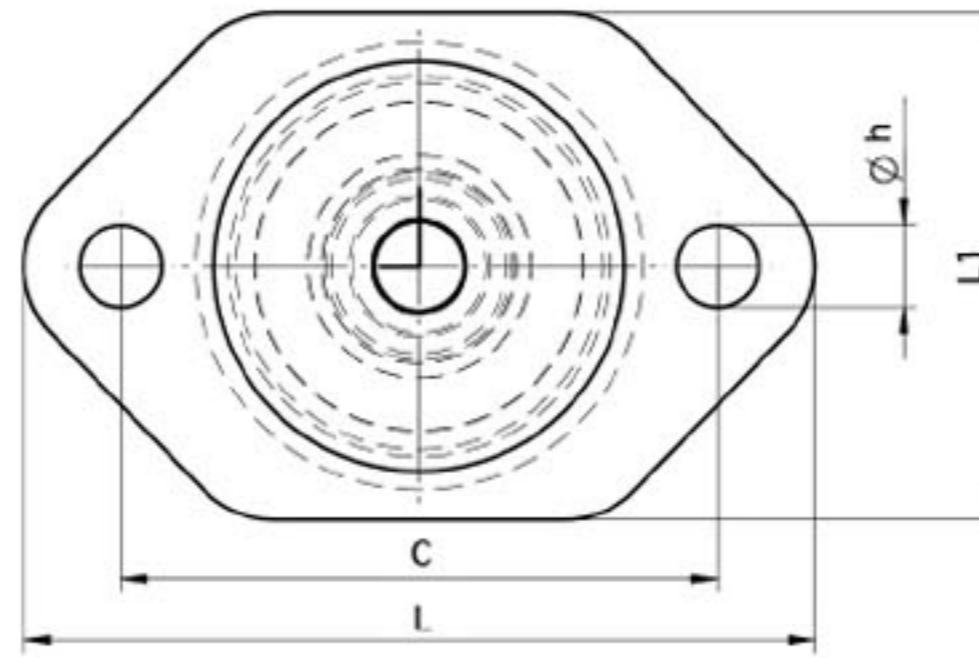


## Four-Hole-Square



Style 1

## Two-Hole-Flange



Style 2

Part Number	Length x Height mm (Inch) (A) x (B)	Inner Diameter (Inch) (a)	Mounting Space mm (Inch) (b)	Plate Length mm (Inch) (L)	Plate Length mm (Inch) (L1)	Hole Separation mm (Inch) (C)	Hole Separation mm (Inch) (C1)	Plate Thickness mm (Inch) (S)	Mounting Holes mm (Inch) (h)	Style	Quality		Max. Static Compression Force	
											ShoreA Duro	Elastomer	kN	lbs
CO46w CO46 CO46h	46 x 27.5 (1.81) x (1.08)	12.7 (.50)	12.0 (.47)	84 (3.31)	50 (1.97)	64 (2.52)	-	2 (.08)	6.5 (.26)	2	43 57 68	NR	.50 .70 1.0	112 157 225
CO60w CO60 CO60h	60 x 51 (2.36) x (2.01)	12.0 (.47)	16.5 (.65)	106 (4.17)	68 (2.68)	80 (3.15)	-	2 (.08)	11.0 (.43)	2	43 57 68	NR	1.05 1.50 2.0	236 337 450
CO78w CO78 CO78h	78 x 56 (3.07) x (2.20)	16.0 (.62)	19.1 (.75)	107 (4.21)	90 (3.54)	80 (3.15)	65 (2.56)	3 (.12)	11.0 (.43)	1	43 57 68	NR	1.90 2.80 3.80	427 629 854
CO93w CO93 CO93h	93 x 81.5 (3.66) x (3.21)	16.2 (.63)	21.0 (.83)	120 (4.72)	100 (3.94)	90 (3.54)	74 (2.91)	4.5 (.18)	11.0 (.43)	1	43 57 68	NR	4.40 6.30 8.70	989 1,416 1,956
CO109w CO109 CO109h	109 x 95 (4.29) x (3.74)	20.1 (.79)	23.0 (.91)	140 (5.51)	120 (4.72)	112 (4.41)	92 (3.62)	4.5 (.18)	11.0 (.43)	1	43 57 68	NR	6.40 11.30 15.50	1,439 2,540 3,485