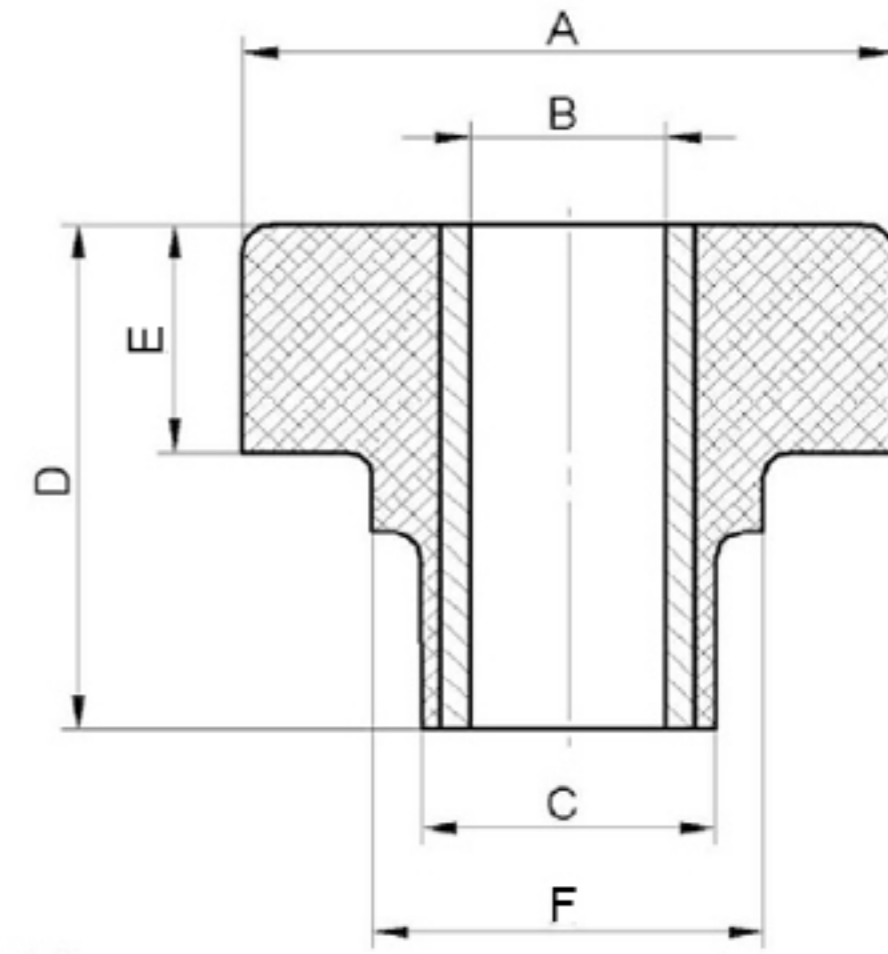
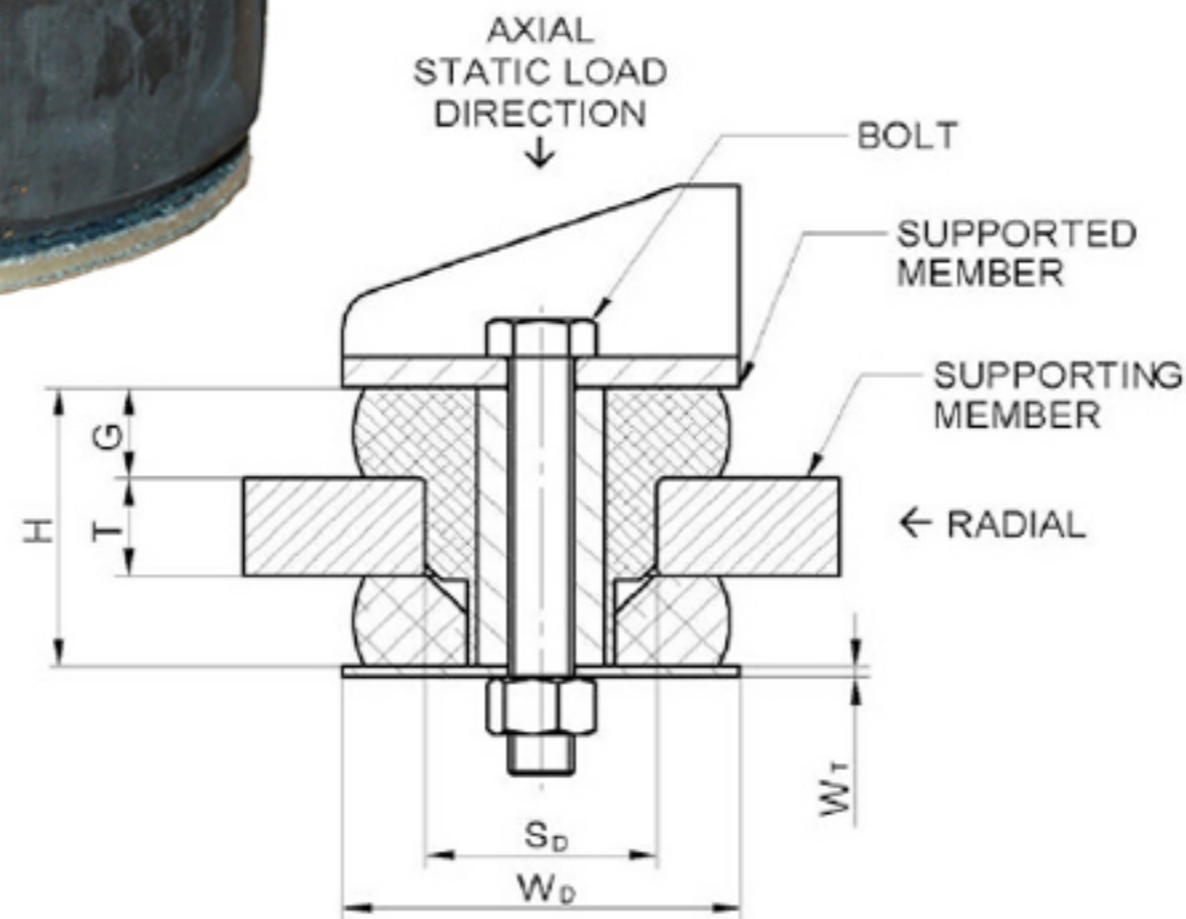
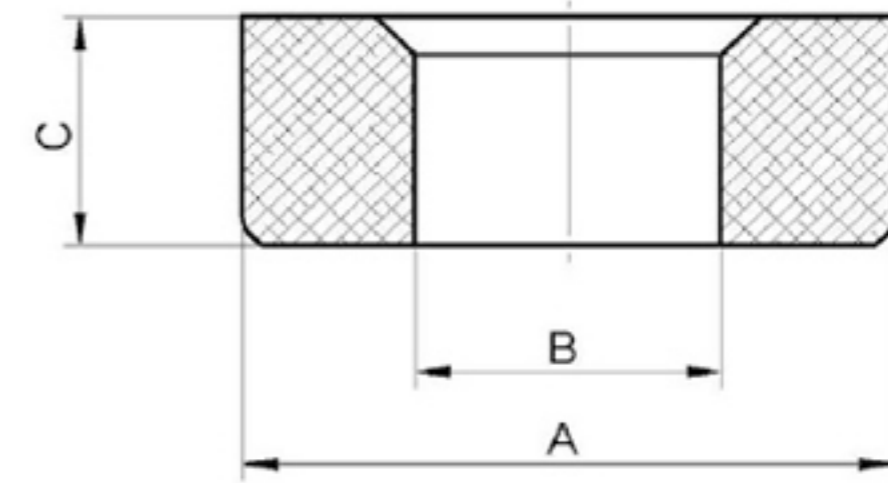


Part 1



Part 2



Part Number	Dia. x mm (Inch) (A) x (D)	bolt hole mm (Inch) (B)	Baseplate Hole mm (Inch) (F)	Height mm (Inch) (E & C)	Baseplate Thickness mm (Inch) (T)	Quality		Axial Load/Deflection	
						ShoreA Duro	Elastomer	N at mm	Lbs at Inch
BTP3227w	32 x 27 (1.26) x (1.06)	10 (.39)	19 (.75)	12 (.47)	4 (.16)	43	NR	350 N at .6 mm	78 LBS at .023"
BTP3227						57		650 N at .6 mm	146 LBS at .023"
BTP3227h						68		1000 N at .6 mm	225 LBS at .023"
BTP4849w	48 x 49 (1.89) x (1.93)	13.5 (.53)	32.5 (1.28)	19 (.75)	10.5 (.41)	43	NR	550 N at 1.0 mm	123 LBS at .039"
BTP4849						57		850 N at 1.0 mm	191 LBS at .039"
BTP4849h						68		1450 N at 1.0 mm	325 LBS at .039"
BTP6562w	65 x 62 (2.56) x (2.44)	16.5 (.65)	40 (1.57)	23.4 (.92)	15.5 (.61)	43	NR	1500 N at 1.2 mm	337 LBS at .047"
BTP6562						57		2500 N at 1.2 mm	562 LBS at .047"
BTP6562h						68		3200 N at 1.2 mm	719 LBS at .047"
BTP8873w	88 x 73 (3.46) x (2.87)	24 (.94)	58.5 (2.30)	25.5 (1.00)	22 (.87)	43	NR	2500 N at 1.3 mm	562 LBS at .05"
BTP8873						57		3800 N at 1.3 mm	854 LBS at .05"
BTP8873h						68		5500 N at 1.3 mm	1236 LBS at .05"
BTP12486w	124 x 86 (4.88) x (3.39)	27 (1.06)	63.5 (2.5)	31 (1.22)	32 (1.26)	43	NR	2500 N at 1.3 mm	562 LBS at .05"
BTP12486						57		3800 N at 1.3 mm	854 LBS at .05"
BTP12486h						68		5500 N at 1.3 mm	1236 LBS at .05"