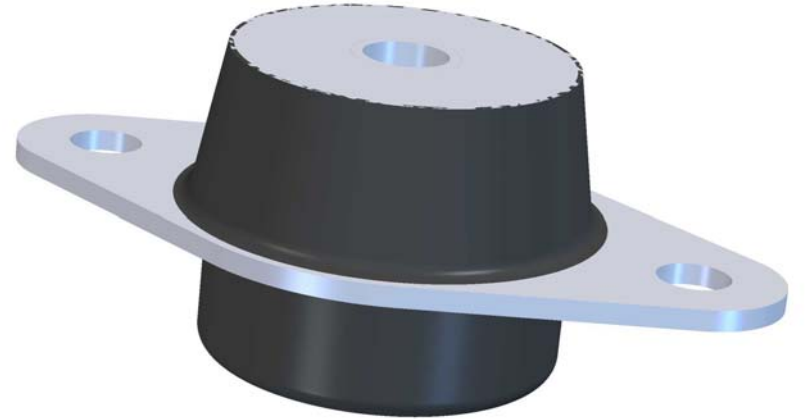
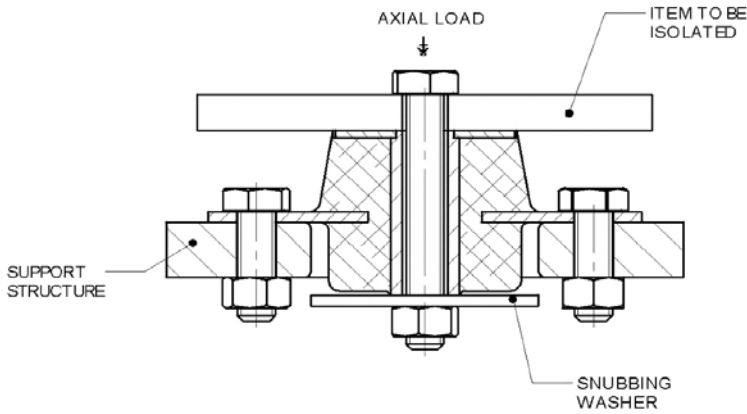
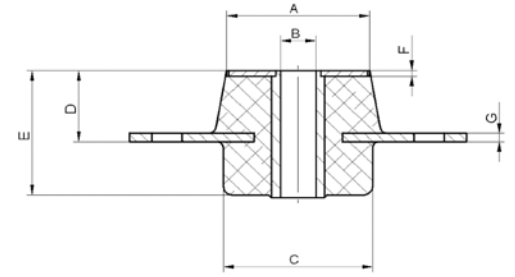
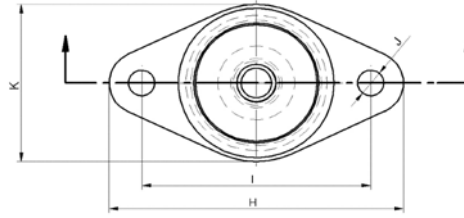


Application

Motor Mounts are simple one-piece units, which are easy to install on a flange and offers vibration isolation in all directions with a fail safe design..

Motor Mounts are used in a variety of anti-vibration applications, which include motor mounts, marine mounts, pumps, compressors, etc.



Part No.	mm	Inch	mm	Inch	mm	Inch	mm	Inch	mm	Inch	mm	Inch	elastomer	Hardness
Part 1	(C)		(B)		(D)		(C)		(D)		(T)		NR	Shore
	OD		ID		Height		Baseplate				Support			
							Hole Sep.				Baseplate			
XX1564w XX1564 XX1565h	50.8	2.00"	12	.47"	45	1.77"	88.9	3.50"	25.15	.99"	3	.118"	NR	43 57 68
XX156401w XX156401 XX156401h	50.8	2.00"	13.5	.53"	45	1.77"	88.9	3.50"	25.15	.99"	3	.118"	NR	43 57 68
XX1565w XX1565 XX1565h	50.8	2.00"	13.5	.53"	50	2.00"	95.25	3.75"	26.15	1.03"	3	.118"	NR	43 57 68