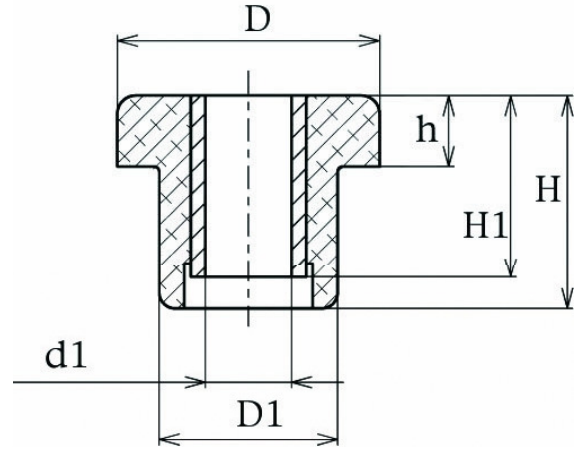
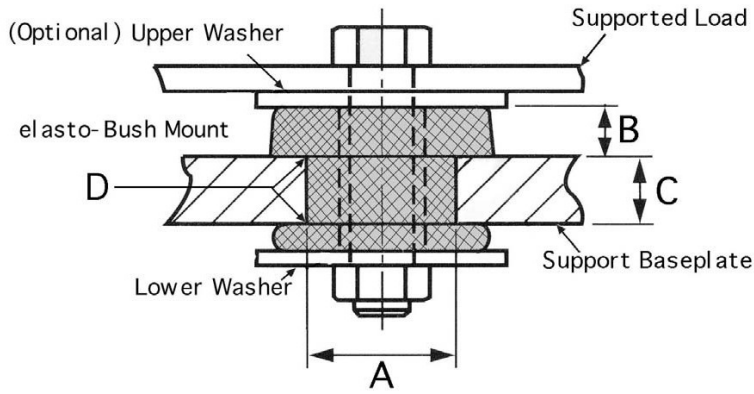


Bush-Mounts



Part Number	Dia. x Height mm (Inch) (D) x (H)	bolt hole mm (Inch) (d1)	Baseplate Hole mm (Inch) (D1)	Height mm (Inch) (d)	Baseplate Thickness mm (Inch) (S)	Quality		Compression Force (Axial)	
						ShoreA Duro	Elastomer	N	Lbs
BM2826w BM2826 BM2826h	28 x 26 (1.10) x (1.02)	10.2 (.40)	20.4 (.80)	5.5 (.22)	4 (.16)	43 57 68	NR	250 N at .6 mm 420 N at .6 mm 600 N at .6 mm	56 LBS at .025" 95 LBS at .025" 135 LBS at .025"
BM4432w BM4432 BM4432h	44 x 32 (1.73) x (1.26)	13 (.51)	32.2 (1.27)	10.4 (.41)	9.7 (.38)	43 57 68	NR	900 N at 1.0 mm 1500 N at 1.0 mm 2200 N at 1.0 mm	200 LBS at .04" 340 LBS at .04" 500 LBS at .04"
BM5041w BM5041 BM5041h	50 x 41 (1.97) x (1.61)	13.3 (.52)	34.4 (1.35)	13.9 (.55)	15.8 (.62)	43 57 68	NR	1200 N at 1.5 mm 2000 N at 1.5 mm 2900 N at 1.5 mm	380 LBS at .06" 450 LBS at .06" 650 LBS at .06"
BM6550w BM6550 BM6550h	65 x 50 (2.56) x (1.97)	16.5 (.65)	41.2 (1.62)	15.8 (.62)	19.1 (.75)	43 57 68	NR	1700 N at 1.8 mm 2800 N at 1.8 mm 4000 N at 1.8 mm	880 LBS at .07" 630 LBS at .07" 900 LBS at .07"
BM7556w BM7556 BM7556h	75 x 56 (2.95) x (2.20)	16.5 (.65)	50.8 (2)	20.0 (.79)	23.6 (.93)	43 57 68	NR	2500 N at 2.1 mm 4200 N at 2.1 mm 6000 N at 2.3 mm	560 LBS at .08" 945 LBS at .08" 1.350 LBS at .08"
BM9563w BM9563 BM9563h	95 x 63 (3.74) x (2.48)	20.2 (.80)	56.6 (2.23)	20.5 (.81)	19.1 (.75)	43 57 68	NR	4700 N at 3.3 mm 7900 N at 3.3 mm 11.200 N at 3.3 mm	1050 LBS at .13" 1770 LBS at .13" 2500 LBS at .13"