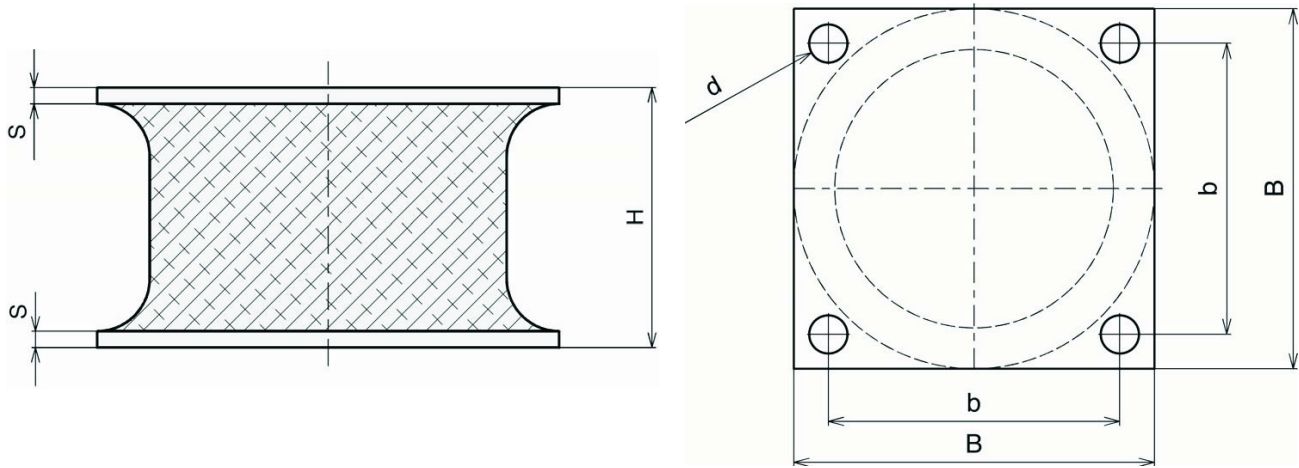


Square-Shear-Mount



Part Number	Dia. x Height mm (Inch) (B) x (H)	bolt-hole mm (Inch) (d)	Hole Sepetration mm (Inch) (b)	Baseplate Thickness mm (Inch) (S)	Quality		Max. Static Compression Force (vertical)		Max. Static Shear Force (horizontal)	
					ShoreA Duro	Elastomer	kN	lbs	kN	lbs
AT1060w	100 x 63.5 (3.94) x (2.5)	8 (.31)	76.2 (3)	3 (.12)	43	NR	1.4	315	0.5	112
AT1060					57		3.2	720	0.9	202
AT1060h					68		5.2	1170	1.5	350
AT1582w	152 x 82 (5.98) x (3.23)	10.2 (.40)	125 (4.92)	4 (.16)	43	NR	3	680	0.9	200
AT1582					57		5.5	1340	1.6	360
AT1582h					68		8.9	2000	2.7	600
AT1610w	160 x 100 (6.30) x (3.94)	12.7 (.5)	135 (5.31)	5 (.20)	43	NR	2.7	600	0.9	205
AT1610					57		5	1130	1.7	385
AT1060h					68		8.2	1850	2.7	620
AT17575w	175 x 76 (6.89) x (2.99)	12.7 (.5)	146 (5.75)	5 (.20)	43	NR	6.5	1460	1.6	350
AT17575					57		12	2700	3.1	700
AT17575h					68		19.5	4400	5	1120
AT1876w	180 x 76 (7.09) x (2.99)	12.7 (.5)	146 (5.75)	6 (.24)	43	NR	6.6	1500	1.5	340
AT1876					57		12.3	2730	3	680
AT1876h					68		20	4500	4.9	1100
AT187601w	180 x 76 (7.09) x (2.99)	19.1 (.75)	146 (5.75)	6 (.24)	43	NR	6.6	1500	1.5	340
AT187601					57		12.3	2730	3	680
AT187601h					68		20	4500	4.9	1100
AT1810w	180 x 100 (7.09) x (3.94)	12.7 (.5)	146 (5.75)	6 (.24)	43	NR	6.5	1460	1.7	380
AT1810					57		11.6	2600	3.2	720
AT1810h					68		18.5	4160	5.3	1200
AT181001w	180 x 100 (7.09) x (3.94)	19.1 (.75)	146 (5.75)	6 (.24)	43	NR	6.5	1460	1.7	380
AT181001					57		11.6	2600	3.2	720
AT181001h					68		18.5	4160	5.3	1200
AT2414w	240 x 140 (9.45) x (5.51)	19.3 (.76)	190 (7.48)	6 (.24)	43	NR	11	2470	3.2	720
AT2414					57		20	4500	6	1350
AT2414h					68		33	7420	9.7	2180