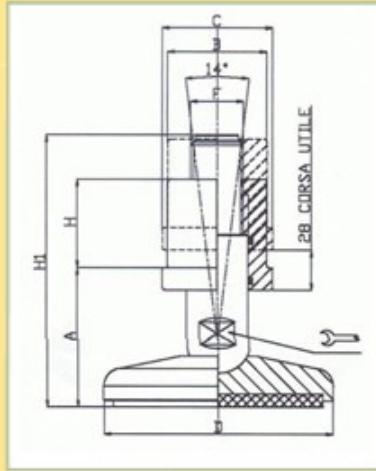



STAINLESS STEEL TEKNOCLEAN FOR TANKS



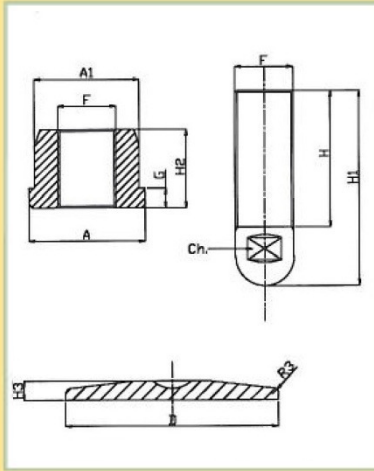
CODE		REGULATION STROKE	MAIN DIMENSIONS								STATIC LOAD Lbs
Standard	Antislip		A	B	D		D	F	H	H1	
16000	16001	18mm	47	45	50	26	100	3/4G	39	120	15,735
16002	16003	18mm	47	45	50	26	120	3/4G	39	120	22,030
16004	16005	28mm	63	60	65	40	100	1"1/4G	50	151	22,480
16006	16007	28mm	63	60	65	40	120	1"1/4G	50	156	33,720
16008	16009	28mm	63	60	65	40	160	1"1/4G	50	156	44,960

Material: Stainless steel AISI 304 (AISI316 available upon request).

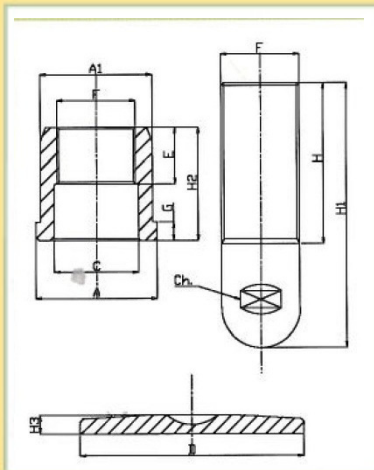
Anti slip pad: NBR 80 shore. Upon request, white E.P.D.M. (high resistance against solvents and chemical degreasers)

Load values mentioned above refer to static conditions calculated at half of the screw length. In conditions of vibrations or in presence of dynamic loads these values should be reduced. We cannot accept responsibility for mounts that have been tampered or modified.

STAINLESS STEEL TEKNOCLEAN FOR TANKS



CODE	MAIN DIMENSIONS										STATIC LOAD Lbs
	A	A1	G	CH	D	F	H	H1	H2	H3	
16010	60	54	8	17	80	M20	70	100	25	10	7865
16030	60	54	10	20	100	M24	70	100	40	10	15,735
16031	60	54	10	26	120	M30	70	100	40	10	17,980
16041	80	75	10	26	120	M30	100	140	25	10	17,980
16050	60	54	10	36	150	M40	100	140	50	15	26,975
16051	60	54	10	36	200	M40	100	140	50	15	26,975



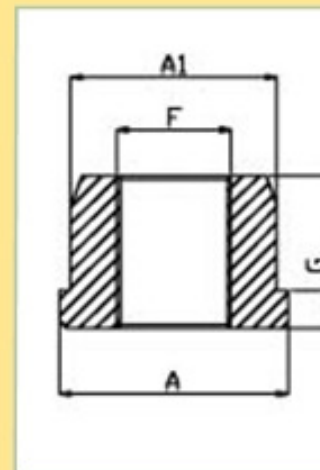
CODICE CODE	DIMENSIONI PRINCIPALI - MAIN DIMENSIONS											CARICO STATICO STATIC LOAD NEWTON	
	A	A1	C	G	E	CH	D	F	H	H1	H2		H3
16021	50	45	32	10	20	26	100	3/4 GAS	50	110	50	10	70000
16040	60	55	38	10	30	30	120	1" GAS	85	140	60	10	90000
16042	60	55	45	10	30	36	120	1" 1/4 GAS	85	140	60	10	

Material: Stainless steel AISI 304 (AISI316 available upon request).

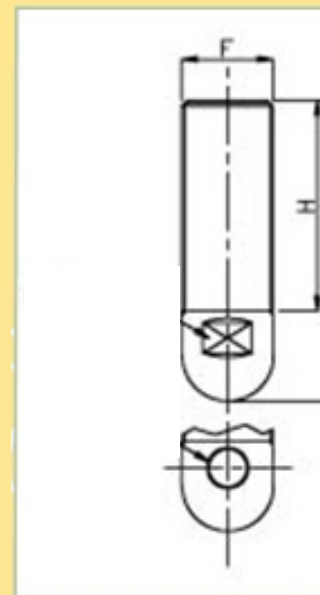
Load values mentioned above refer to static conditions calculated at half of the screw length. In conditions of vibrations or in presence of dynamic loads these values should be reduced. We cannot accept responsibility for mounts that have been tampered or modified.

MODULAR TEKNOCLEAN SYSTEM

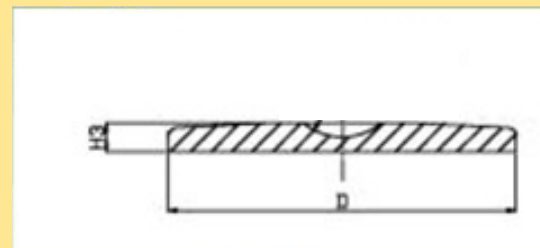
CODE	MAIN DIMENSIONS				
	A	A1	G	F	H2
B40M20	40	32	5	M20	35
B40M24	40	32	5	M24	35
B50M24	50	45	10	M24	30
B50M30	50	45	10	M30	30
B60M20	60	54	10	M20	25
B60M24	60	54	10	M24	30
B60M30	60	54	10	M30	30
B60M40	60	54	10	M40	50
B80M24	80	75	10	M24	25
B80M30	80	75	10	M30	30
B80M40	80	75	10	M40	40



CODE	MAIN DIMENSIONS				
	F	H	H1	REGULATION KEY	REGULATION HOLE
SM20-100	M20	70	100	17	
SM24-100	M24	70	100	20	
SM30-100	M30	70	100	26	
SM30-140	M30	100	140	26	
SM40-140	M40	100	140	36	
SM20-100F	M20	70	100		10.5
SM24-100F	M24	70	100		10.5
SM30-100F	M30	70	100		12.5
SM30-140F	M30	100	140		12.5
SM40-140F	M40	100	140		12.5



CODE	MAIN DIMENSIONS		
	D	H3	RADIUS
P80M20	80	10	10 per M20
P100M24	100	10	12 per M24
P100M30	100	10	15 per M30
P120M30	120	10	15 per M30
P120M40	120	10	20 per M40
P150M30	150	15	15 per M30
P200M40	150	15	20 per M40
P200M40	200	15	20 per M40



Material: Stainless steel AISI 304 (AISI316 available upon request).

Load values mentioned above refer to static conditions calculated at half of the screw length. In conditions of vibrations or in presence of dynamic loads these values should be reduced. We cannot accept responsibility for mounts that have been tampered or modified.