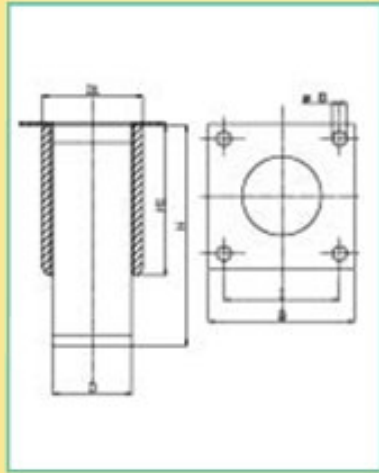
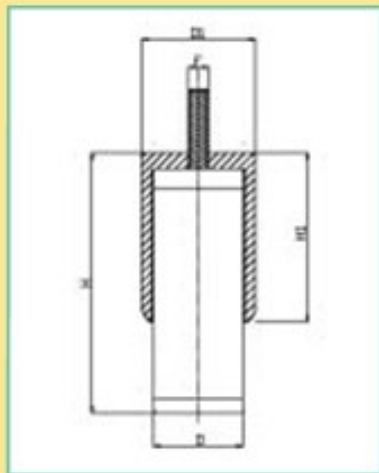


STAINLESS STEEL SUPPORT



CODE	MAIN DIMENSIONS						STATIC LOAD Lbs
	D	D1	H	H1	Q	I	
50000	44.5	56.5	130/180	85	82	62	1120
50010	56.6	64	130/180	85	82	62	1795

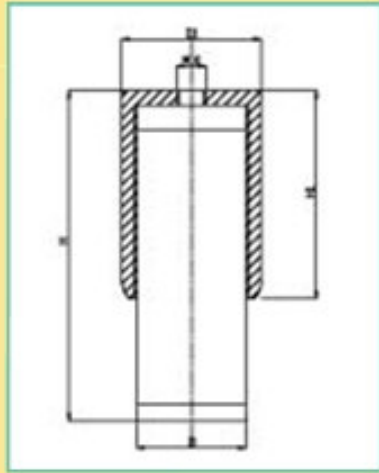


CODE	MAIN DIMENSIONS						STATIC LOAD Lbs
	D	D1	H	H1	F		
50020	44.5	56.5	130/180	85	M10X40	1120	
50030	56.6	64	130/180	85	M10X40	1795	

Stainless steel reducing socket (AISI 304) with internal thread in nylon reinforced by fiber glass. Stainless steel foot AISI 304. Anti-slip pad in black PVC.

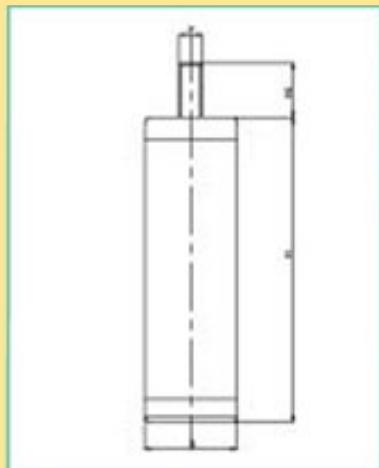
Load values mentioned above refer to static conditions calculated at half of the screw length. In conditions of vibrations or in presence of dynamic loads these values should be reduced. We cannot accept responsibility for mounts that have been tampered or modified.

STAINLESS STEEL SUPPORT



CODE	MAIN DIMENSIONS					STATIC LOAD Lbs
	D	D1	H	H1	F	
50039	44.5	52	85/110	62	M10	900
50040	44.5	56.5	130/180	85	M10	1120
50050	56.6	64	130/180	85	M10	1795

Stainless steel reducing socket (AISI 304) with internal thread in nylon reinforced by fiber glass.
Stainless steel foot AISI 304. Anti-slip pad in black PVC.



CODE	MAIN DIMENSIONS				STATIC LOAD Lbs
	H	D	F	H1	
50500	100	42	M12	25	1460
50510	150	42	M12	25	1460
50520	100	50	M12	25	1910
50530	150	50	M12	25	1910
50540	100	60	M12	25	2245
50550	150	60	M12	25	2245

Material - stainless steel support AISI 304. Plug in polyamide reinforced by fiber glass. Stainless steel screw AISI 304

Load values mentioned above refer to static conditions calculated at half of the screw length. In conditions of vibrations or in presence of dynamic loads these values should be reduced. We cannot accept responsibility for mounts that have been tampered or modified.