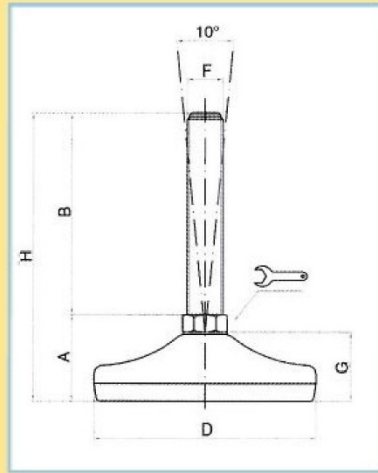


**STAINLESS STEEL BASE (80mm/3.15in)
ARTICULATED STAINLESS STEEL SCREW 10°**



CODE	Description	MAIN DIMENSIONS							STATIC LOAD Lbs
		A	B	D	CH	F	G	H1	
24900/10	M10X50	35	50	80	14	M10	25	85	2245
25000/10	M10X75	35	75	80	14	M10	25	110	2245
25002/10	M10X100	35	100	80	14	M10	25	135	2245
25004/10	M10X125	35	125	80	14	M10	25	160	2245
24900/12	M12X50	35	50	80	14	M12	25	85	2245
25000/12	M12X75	35	75	80	14	M12	25	110	2245
25002/12	M12X100	35	100	80	14	M12	25	135	2245
25004/12	M12X125	35	125	80	14	M12	25	160	2245
25006/12	M12X150	35	150	80	14	M12	25	185	2245
25000	M14X75	35	75	80	14	M14	25	110	2245
25002	M14X100	35	100	80	14	M14	25	135	2245
25004	M14X125	35	125	80	14	M14	25	160	2245
25006	M14X150	35	150	80	14	M14	25	185	2245
25008	M14X175	35	175	80	14	M14	25	210	2245

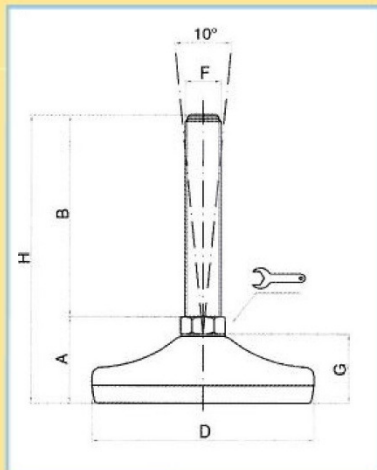
Screw and base material : AISI 304 (AISI316 available upon request)

Pad: vulcanized rubber NBR 80 shore

Articulated screw 10°

Load values mentioned above refer to static conditions calculated at half of the screw length. In conditions of vibrations or in presence of dynamic loads these values should be reduced. We cannot accept responsibility for mounts that have been tampered or modified.

**STAINLESS STEEL BASE (80mm/3.15in)
ARTICULATED STAINLESS STEEL SCREW 10°**



CODE	Description	MAIN DIMENSIONS							STATIC LOAD Lbs
		A	B	D	CH	F	G	H1	
25020	M16X75	35	75	80	13	M16	25	110	2245
25022	M16X100	35	100	80	13	M16	25	135	2245
25024	M16X125	35	125	80	13	M16	25	160	2245
25026	M16X150	35	150	80	13	M16	25	185	2245
25028	M16X175	35	175	80	13	M16	25	210	2245
25040	M20X75	38	75	80	17	M20	25	113	2245
25042	M20X100	38	100	80	17	M20	25	138	2245
25044	M20X125	38	125	80	17	M20	25	163	2245
25046	M20X150	38	150	80	17	M20	25	188	2245
25048	M20X175	38	175	80	17	M20	25	213	2245
25050	M20X200	38	200	80	17	M20	25	238	2245
25052	M20X225	38	225	80	17	M20	25	260	2245
25070	M24X75	40	75	80	20	M24	25	115	2245
25072	M24X100	40	100	80	20	M24	25	140	2245
25074	M24X125	40	125	80	20	M24	25	165	2245
25076	M24X150	40	150	80	20	M24	25	190	2245
25078	M24X175	40	175	80	20	M24	25	215	2245
25080	M24X200	40	200	80	20	M24	25	240	2245
25082	M24X225	40	225	80	20	M24	25	265	2245

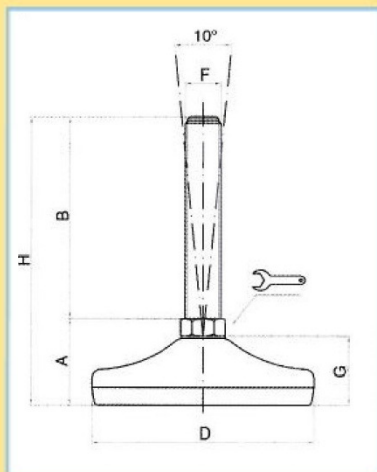
Screw and base material : AISI 304 (AISI316 available upon request)

Pad: vulcanized rubber NBR 80 shore

Articulated screw 10°

Load values mentioned above refer to static conditions calculated at half of the screw length. In conditions of vibrations or in presence of dynamic loads these values should be reduced. We cannot accept responsibility for mounts that have been tampered or modified.

**STAINLESS STEEL BASE (100mm/3.94in)
ARTICULATED STAINLESS STEEL SCREW 10°**



CODE	Description	MAIN DIMENSIONS							STATIC LOAD Lbs
		A	B	D	CH	F	G	H1	
25100	M16X75	39.5	75	100	13	M16	30	114.5	3370
25102	M16X100	39.5	100	100	13	M16	30	139.5	3370
25104	M16X125	39.5	125	100	13	M16	30	164.5	3370
25106	M16X150	39.5	150	100	13	M16	30	189.5	3370
25108	M16X175	39.5	175	100	13	M16	30	214.5	3370
25110	M16X200	39.5	200	100	13	M16	30	239.5	3370
25120	M20X75	43	75	100	17	M20	30	118	3370
25122	M20X100	43	100	100	17	M20	30	143	3370
25124	M20X125	43	125	100	17	M20	30	168	3370
25126	M20X150	43	150	100	17	M20	30	193	3370
25128	M20X175	43	175	100	17	M20	30	218	3370
25130	M20X200	43	200	100	17	M20	30	243	3370
25132	M20X225	43	225	100	17	M20	30	268	3370
25134	M20X250	43	250	100	17	M20	30	293	3370

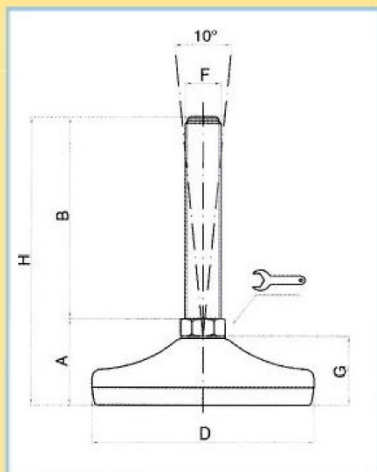
Screw and base material : AISI 304 (AISI316 available upon request)

Pad: vulcanized rubber NBR 80 shore

Articulated screw 10°

Load values mentioned above refer to static conditions calculated at half of the screw length. In conditions of vibrations or in presence of dynamic loads these values should be reduced. We cannot accept responsibility for mounts that have been tampered or modified.

**STAINLESS STEEL BASE (100mm/3.94in)
ARTICULATED STAINLESS STEEL SCREW 10°**



CODE	Description	MAIN DIMENSIONS								STATIC LOAD Lbs
		A	B	D	CH	F	G	H1		
25150	M24X100	44	100	100	20	M24	30	144	3370	
25152	M24X125	44	125	100	20	M24	30	169	3370	
25154	M24X150	44	150	100	20	M24	30	194	3370	
25156	M24X175	44	175	100	20	M24	30	219	3370	
25158	M24X200	44	200	100	20	M24	30	244	3370	
25160	M24X225	44	225	100	20	M24	30	269	3370	
25162	M24X250	44	250	100	20	M24	30	294	3370	
25180	M30X100	44	100	100	26	M30	30	144	3370	
25182	M30X125	44	125	100	26	M30	30	169	3370	
25184	M30X150	44	150	100	26	M30	30	194	3370	
25186	M30X175	44	175	100	26	M30	30	219	3370	
25188	M30X200	44	200	100	26	M30	30	244	3370	
25200	M30X225	44	225	100	26	M30	30	269	3370	
25202	M30X250	44	250	100	26	M30	30	294	3370	

Screw and base material : AISI 304 (AISI316 available upon request)

Pad: vulcanized rubber NBR 80 shore

Articulated screw 10°

Load values mentioned above refer to static conditions calculated at half of the screw length. In conditions of vibrations or in presence of dynamic loads these values should be reduced. We cannot accept responsibility for mounts that have been tampered or modified.