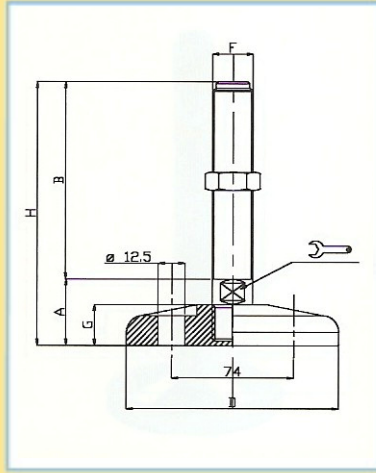



**STAINLESS STEEL BASE (100mm/3.94in) WITH FIXING HOLES,
FIXED STAINLESS STEEL SCREW - HEAVY LOADS-**



| CODE | | Description | MAIN DIMENSIONS | | | | | | | STATIC LOAD Lbs |
|----------|----------|-------------|-----------------|-----|-----|---|-----|----|-----|--------------------|
| Standard | Antislip | | A | B | D |  | F | G | H | |
| 12132 | 12132/G | M16X100 | 33 | 100 | 100 | 20 | M16 | 20 | 133 | 7865 |
| 12136 | 12136/G | M16X150 | 33 | 150 | 100 | 20 | M16 | 20 | 183 | 7865 |
| 12140 | 12140/G | M16X200 | 33 | 200 | 100 | 20 | M16 | 20 | 233 | 7865 |
| 12188 | 12188/G | M20X100 | 33 | 100 | 100 | 20 | M20 | 20 | 133 | 8990 |
| 12192 | 12192/G | M20X150 | 33 | 150 | 100 | 20 | M20 | 20 | 183 | 8990 |
| 12196 | 12196/G | M20X200 | 33 | 200 | 100 | 20 | M20 | 20 | 233 | 8990 |
| 12200 | 12200/G | M20X250 | 33 | 250 | 100 | 20 | M20 | 20 | 283 | 8990 |
| 12244 | 12244/G | M24X100 | 34 | 100 | 100 | 20 | M24 | 20 | 134 | 10,115 |
| 12248 | 12248/G | M24X150 | 34 | 150 | 100 | 20 | M24 | 20 | 184 | 10,115 |
| 12252 | 12252/G | M24X200 | 34 | 200 | 100 | 20 | M24 | 20 | 234 | 10,115 |
| 12256 | 12256/G | M24X250 | 34 | 250 | 100 | 20 | M24 | 20 | 284 | 10,115 |

Code "/G": black antislip pad NBR 70 shore H6 undrilled

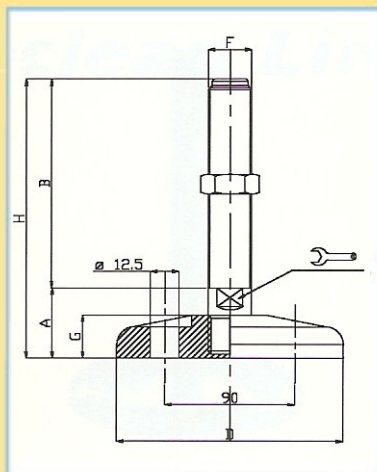
Stainless steel base AISI 304 (AISI 316 upon request).


Stainless steel screw in AISI 304 (AISI 316 upon request).

The leveling element could be supplied, on request, with steel nut.

Load values mentioned above refer to static conditions calculated at half of the screw length. In conditions of vibrations or in presence of dynamic loads these values should be reduced. We cannot accept responsibility for mounts that have been tampered or modified.

**STAINLESS STEEL BASE (120mm/4.7in) WITH FIXING HOLES,
FIXED STAINLESS STEEL SCREW - HEAVY LOADS-**



| CODE | | Description | MAIN DIMENSIONS | | | | | | | STATIC LOAD Lbs |
|----------|------------|-------------|-----------------|-----|-----|---|-----|----|-----|--------------------|
| Standard | Antislip | | A | B | D |  | F | G | H | |
| 12356 | 12356/G | M20X100 | 35 | 100 | 120 | 20 | M20 | 22 | 135 | 10,115 |
| 12360 | 12360/G | M20X150 | 35 | 150 | 120 | 20 | M20 | 22 | 185 | 10,115 |
| 12364 | 12364/G | M20X200 | 35 | 200 | 120 | 20 | M20 | 22 | 235 | 10,115 |
| 12368 | 12368/G | M20X250 | 35 | 250 | 120 | 20 | M20 | 22 | 285 | 10,115 |
| 12412 | 12412/G | M24X100 | 36 | 100 | 120 | 20 | M24 | 22 | 136 | 11,240 |
| 12416 | 12416/G | M24X150 | 36 | 150 | 120 | 20 | M24 | 22 | 186 | 11,240 |
| 12420 | 12420/G | M24X200 | 36 | 200 | 120 | 20 | M24 | 22 | 231 | 11,240 |
| 12424 | 12424/G | M24X250 | 36 | 250 | 120 | 20 | M24 | 22 | 281 | 11,240 |
| 12412/30 | 12412/30/G | M30X100 | 36 | 100 | 120 | 26 | M30 | 22 | 136 | 13,485 |
| 12416/30 | 12416/30/G | M30X150 | 36 | 150 | 120 | 26 | M30 | 22 | 186 | 13,485 |
| 12420/30 | 12420/30/G | M30X200 | 36 | 200 | 120 | 26 | M30 | 22 | 236 | 13,485 |
| 12424/30 | 12424/30/G | M30X250 | 36 | 250 | 120 | 26 | M30 | 22 | 286 | 13,485 |

Code “/G”: black antislip pad NBR 70 shore H6 undrilled

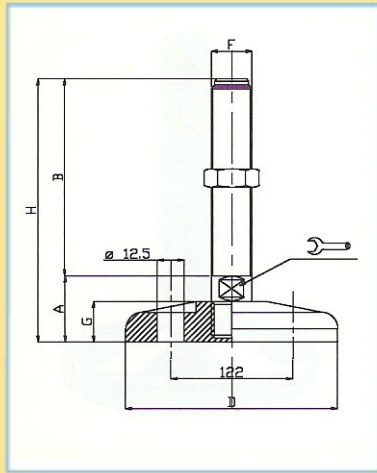
Stainless steel base AISI 304 (AISI 316 upon request).


Stainless steel screw in AISI 304 (AISI 316 upon request).

The leveling element could be supplied, on request, with steel nut.

Load values mentioned above refer to static conditions calculated at half of the screw length. In conditions of vibrations or in presence of dynamic loads these values should be reduced. We cannot accept responsibility for mounts that have been tampered or modified.

**STAINLESS STEEL BASE (159mm/6.25in) WITH FIXING HOLES,
FIXED STAINLESS STEEL SCREW - HEAVY LOADS-**



| CODE | | Description | MAIN DIMENSIONS | | | | | | | STATIC LOAD Lbs |
|----------|----------|-------------|-----------------|-----|-----|---|-----|----|-----|--------------------|
| Standard | Antislip | | A | B | D |  | F | G | H | |
| 12468 | 12468/G | M20X100 | 36 | 100 | 159 | 20 | M20 | 23 | 136 | 11,240 |
| 12472 | 12472/G | M20X150 | 36 | 150 | 159 | 20 | M20 | 23 | 186 | 11,240 |
| 12476 | 12476/G | M20X200 | 36 | 200 | 159 | 20 | M20 | 23 | 236 | 11,240 |
| 12480 | 12480/G | M20X250 | 36 | 250 | 159 | 20 | M20 | 23 | 286 | 11,240 |
| 12524 | 12524/G | M24X100 | 37 | 100 | 159 | 20 | M24 | 23 | 137 | 13,485 |
| 12528 | 12528/G | M24X150 | 37 | 150 | 159 | 20 | M24 | 23 | 187 | 13,485 |
| 12532 | 12532/G | M24X200 | 37 | 200 | 159 | 20 | M24 | 23 | 237 | 13,485 |
| 12536 | 12536/G | M24X250 | 37 | 250 | 159 | 20 | M24 | 23 | 287 | 13,485 |
| 12580 | 12580/G | M30X100 | 37 | 100 | 159 | 26 | M30 | 23 | 137 | 15,735 |
| 12584 | 12584/G | M30X150 | 37 | 150 | 159 | 26 | M30 | 23 | 187 | 15,735 |
| 12588 | 12588/G | M30X200 | 37 | 200 | 159 | 26 | M30 | 23 | 237 | 15,735 |
| 12592 | 12592/G | M30X250 | 37 | 250 | 159 | 26 | M30 | 23 | 287 | 15,735 |

Code "/G": black antislip pad NBR 70 shore H6 undrilled

Stainless steel base AISI 304 (AISI 316 upon request).

Stainless steel screw in AISI 304 (AISI 316 upon request).

The leveling element could be supplied, on request, with steel nut.

Load values mentioned above refer to static conditions calculated at half of the screw length. In conditions of vibrations or in presence of dynamic loads these values should be reduced. We cannot accept responsibility for mounts that have been tampered or modified.