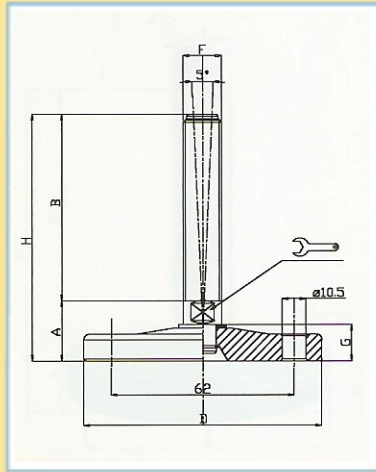












STAINLESS STEEL BASE (80mm/3.15in) WITH FIXING HOLES, ARTICULATED STAINLESS STEEL SCREW 5° - MEDIUM LOAD



CODE		Description	MAIN DIMENSIONS							STATIC LOAD Lbs	
Standard	Antislip		A	B	D		F	G	H		
15200	15200/G	M14X50	20	50	80	14		M14	11.5	70	4495
15201	15201/G	M14X100	20	100	80	14		M14	11.5	120	4495
15202	15202/G	M14X150	20	150	80	14		M14	11.5	170	4495
15203	15203/G	M16X75	20	75	80	13		M16	11.5	95	4495
15204	15204/G	M16X100	20	100	80	13		M16	11.5	120	4495
15205	15205/G	M16X150	20	150	80	13		M16	11.5	170	4495
15206	15206/G	M20X75	24	75	80	17		M20	11.5	99	5620
15207	15207/G	M20X125	24	125	80	17		M20	11.5	149	5620
15208	15208/G	M20X175	24	175	80	17		M20	11.5	199	5620

Code "/G": black antislip pad NBR 70 shore H6 undrilled

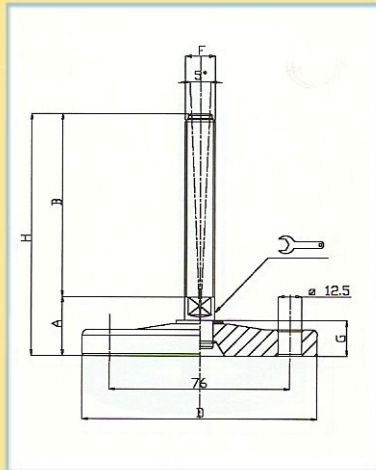
Stainless steel base AISI 304 (AISI 316 upon request). Turning surface finishing.


Stainless steel screw in AISI 304 (AISI 316 upon request).

The leveling element could be supplied, on request, with steel nut.

Load values mentioned above refer to static conditions calculated at half of the screw length. In conditions of vibrations or in presence of dynamic loads these values should be reduced. We cannot accept responsibility for mounts that have been tampered or modified.

STAINLESS STEEL BASE (100mm/3.94in) WITH FIXING HOLES, ARTICULATED STAINLESS STEEL SCREW 5° - MEDIUM LOAD



CODE		Description	MAIN DIMENSIONS							STATIC LOAD Lbs
Standard	Antislip		A	B	D		F	G	H	
15209	15209/G	M16X75	29	75	100	17	M16	16.5	104	6740
15210	15210/G	M16X100	29	100	100	17	M16	16.5	129	6740
15211	15211/G	M16X150	29	150	100	17	M16	16.5	179	6740
15212	15212/G	M20X75	29	75	100	17	M20	16.5	104	6740
15213	15213/G	M20X125	29	125	100	17	M20	16.5	154	6740
15214	15214/G	M20X175	29	175	100	17	M20	16.5	204	6740
15215	15215/G	M24X100	30	100	100	20	M24	16.5	130	7865
15216	15216/G	M24X150	30	150	100	20	M24	16.5	180	7865
15217	15217/G	M24X200	30	200	100	20	M24	16.5	230	7865
15218	15218/G	M30X125	30	125	100	26	M30	16.5	155	7865
15219	15219/G	M30X175	30	175	100	26	M30	16.5	205	7865
15220	15220/G	M30X225	30	225	100	26	M30	16.5	255	7865

Code “/G”: black antislip pad NBR 70 shore H6 undrilled

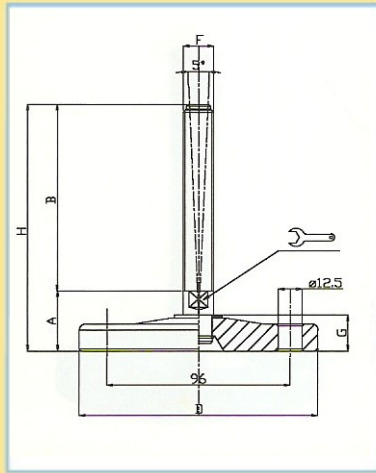
Stainless steel base AISI 304 (AISI 316 upon request). Turning surface finishing.

Stainless steel screw in AISI 304 (AISI 316 upon request).

The leveling element could be supplied, on request, with steel nut.

Load values mentioned above refer to static conditions calculated at half of the screw length. In conditions of vibrations or in presence of dynamic loads these values should be reduced. We cannot accept responsibility for mounts that have been tampered or modified.

STAINLESS STEEL BASE (120mm/4.7in) WITH FIXING HOLES, ARTICULATED STAINLESS STEEL SCREW 5° - MEDIUM LOAD



CODE		Description	MAIN DIMENSIONS							STATIC LOAD Lbs
Standard	Antislip		A	B	D		F	G	H	
15221	15221/G	M16X75	29	75	120	17	M16	16.5	104	8990
15222	15222/G	M16X100	29	100	120	17	M16	16.5	129	8990
15223	15223/G	M16X150	29	150	120	17	M16	16.5	179	8990
15224	15224/G	M20X75	29	75	120	17	M20	16.5	104	8990
15225	15225/G	M20X125	29	125	120	17	M20	16.5	154	8990
15226	15226/G	M20X175	29	175	120	17	M20	16.5	204	8990
15227	15227/G	M24X100	30	100	120	20	M24	16.5	130	10,115
15228	15228/G	M24X150	30	150	120	20	M24	16.5	180	10,115
15229	15229/G	M24X200	30	200	120	20	M24	16.5	230	10,115
15230	15230/G	M30X125	30	125	120	26	M30	16.5	155	10,115
15231	15231/G	M30X175	30	175	120	26	M30	16.5	205	10,115
15232	15232/G	M30X225	30	225	120	26	M30	16.5	255	10,115

Code "/G": black antislip pad NBR 70 shore H6 undrilled

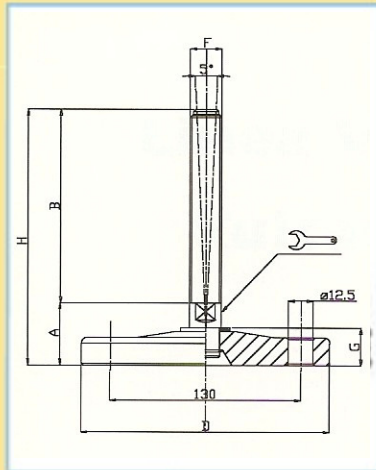
Stainless steel base AISI 304 (AISI 316 upon request). Turning surface finishing.


Stainless steel screw in AISI 304 (AISI 316 upon request).

The leveling element could be supplied, on request, with steel nut.

Load values mentioned above refer to static conditions calculated at half of the screw length. In conditions of vibrations or in presence of dynamic loads these values should be reduced. We cannot accept responsibility for mounts that have been tampered or modified.

STAINLESS STEEL BASE (150mm/ 5.9in) WITH FIXING HOLES, ARTICULATED STAINLESS STEEL SCREW 5° - MEDIUM LOAD



CODE		Description	MAIN DIMENSIONS							STATIC LOAD Lbs
Standard	Antislip		A	B	D		F	G	H	
15233	15233/G	M20X75	29	75	150	17	M20	16.5	104	11,240
15234	15234/G	M20X125	29	125	150	17	M20	16.5	154	11,240
15235	15235/G	M20X175	29	175	150	17	M20	16.5	204	11,240
15236	15236/G	M24X100	30	100	150	20	M24	16.5	130	12,360
15237	15237/G	M24X150	30	150	150	20	M24	16.5	180	12,360
15238	15238/G	M24X200	30	200	150	20	M24	16.5	230	12,360
15239	15239/G	M30X125	30	125	150	26	M30	16.5	155	12,360
15240	15240/G	M30X175	30	175	150	26	M30	16.5	205	12,360
15241	15241/G	M30X225	30	225	150	26	M30	16.5	255	12,360

Code “/G”: black antislip pad NBR 70 shore H6 undrilled

Stainless steel base AISI 304 (AISI 316 upon request). Turning surface finishing.

Stainless steel screw in AISI 304 (AISI 316 upon request).

The leveling element could be supplied, on request, with steel nut.

Load values mentioned above refer to static conditions calculated at half of the screw length. In conditions of vibrations or in presence of dynamic loads these values should be reduced. We cannot accept responsibility for mounts that have been tampered or modified.