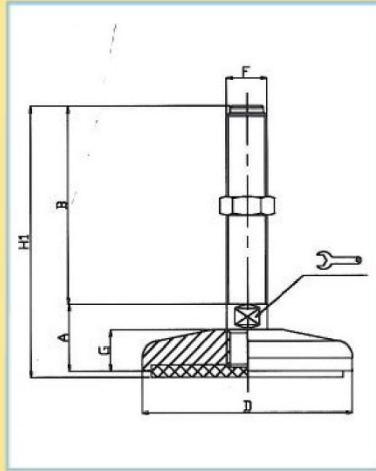



**STAINLESS STEEL BASE (80mm/3.15in)
WITH FIXED STAINLESS STEEL SCREW
- HEAVY LOADS -**

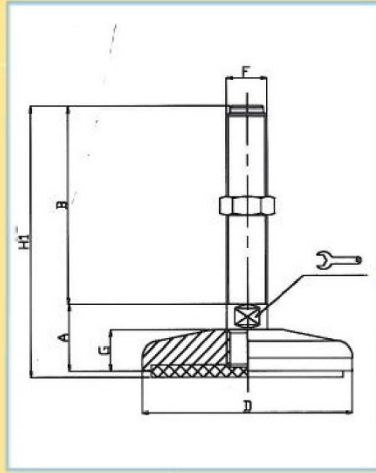



CODE	Description	MAIN DIMENSIONS							STATIC LOAD Lbs
		A	B	D		F	G	H1	
11527	M16X100	34.5	100	80	17	M16	22	137.5	6740
11531	M16X150	34.5	150	80	17	M16	22	187.5	6740
11535	M16X200	34.5	200	80	17	M16	22	237.5	6740
11575	M20X100	34.5	100	80	20	M20	22	137.5	7865
11579	M20X150	34.5	150	80	20	M20	22	187.5	7865
11583	M20X200	34.5	200	80	20	M20	22	237.5	7865
11585	M20X225	34.5	225	80	20	M20	22	262.5	7865
11575/24	M24X100	36	100	80	20	M24	22	139	8990
11579/24	M24X150	36	150	80	20	M24	22	189	8990
11583/24	M24X200	36	200	80	20	M24	22	239	8990
11585/24	M24X225	36	225	80	20	M24	22	264	8990

Stainless steel base AISI 304 (AISI 316 available upon request). Antislip mounts are available with NBR rubber 70 shore. Stainless steel screw AISI 304 (AISI 316 available upon request). The leveling element can be supplied, on request, with steel nut.

Load values mentioned above refer to static conditions calculated at half of the screw length. In conditions of vibrations or in presence of dynamic loads these values should be reduced. We cannot accept responsibility for mounts that have been tampered or modified.

**STAINLESS STEEL BASE (100mm/3.94in)
WITH FIXED STAINLESS STEEL SCREW
- HEAVY LOADS -**

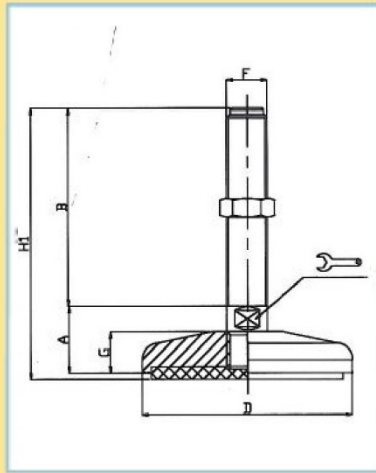


CODE	Description	MAIN DIMENSIONS							STATIC LOAD Lbs
		A	B	D		F	G	H1	
11629	M16X100	36	100	100	20	M16	23	139	8990
11633	M16X150	36	150	100	20	M16	23	189	8990
11637	M16X200	36	200	100	20	M16	23	239	8990
11685	M20X100	36	100	100	20	M20	23	139	10,115
11689	M20X150	36	150	100	20	M20	23	189	10,115
11693	M20X200	36	200	100	20	M20	23	239	10,115
11697	M20X250	36	250	100	20	M20	23	289	10,115
11741	M24X100	37	100	100	20	M24	23	139	11,240
11745	M24X150	37	150	100	20	M24	23	189	11,240
11749	M24X200	37	200	100	20	M24	23	240	11,240
11753	M24X250	37	250	100	20	M24	23	290	11,240

Stainless steel base AISI 304 (AISI 316 available upon request). Antislip mounts are available with NBR rubber 70 shore. Stainless steel screw AISI 304 (AISI 316 available upon request). The leveling element can be supplied, on request, with steel nut.

Load values mentioned above refer to static conditions calculated at half of the screw length. In conditions of vibrations or in presence of dynamic loads these values should be reduced. We cannot accept responsibility for mounts that have been tampered or modified.

**STAINLESS STEEL BASE (120mm/4.7in)
WITH FIXED STAINLESS STEEL SCREW
- HEAVY LOADS -**

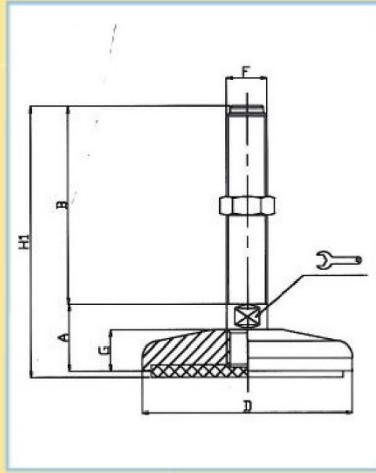


CODE	Description	MAIN DIMENSIONS							STATIC LOAD Lbs
		A	B	D		F	G	H1	
11797	M20X100	36	100	120	20	M20	23	139	10,115
11801	M20X150	36	150	120	20	M20	23	189	10,115
11805	M20X200	36	200	120	20	M20	23	239	10,115
11809	M20X250	36	250	120	20	M20	23	289	10,115
11853	M24X100	36	100	120	20	M24	23	139	11,240
11857	M24X150	36	150	120	20	M24	23	189	11,240
11861	M24X200	36	200	120	20	M24	23	239	11,240
11865	M24X250	36	250	120	20	M24	23	289	11,240
11909	M30X100	37	100	120	26	M30	23	140	13,485
11913	M30X150	37	150	120	26	M30	23	190	13,485
11917	M30X200	37	200	120	26	M30	23	240	13,485
11921	M30X250	37	250	120	26	M30	23	290	13,485

Stainless steel base AISI 304 (AISI 316 available upon request). Antislip mounts are available with NBR rubber 70 shore. Stainless steel screw AISI 304 (AISI 316 available upon request). The leveling element can be supplied, on request, with steel nut.

Load values mentioned above refer to static conditions calculated at half of the screw length. In conditions of vibrations or in presence of dynamic loads these values should be reduced. We cannot accept responsibility for mounts that have been tampered or modified.

**STAINLESS STEEL BASE (159mm/6.25in)
WITH FIXED STAINLESS STEEL SCREW
- HEAVY LOADS -**



CODE	Description	MAIN DIMENSIONS							STATIC LOAD Lbs
		A	B	D		F	G	H1	
11965	M20X100	39	100	159	20	M20	26	142	11,240
11969	M20X150	39	150	159	20	M20	26	192	11,240
11973	M20X200	39	200	159	20	M20	26	242	11,240
11977	M20X250	39	250	159	20	M20	26	292	11,240
12021	M24X100	39	100	159	20	M24	26	142	13,485
12025	M24X150	39	150	159	20	M24	26	192	13,485
12029	M24X200	39	200	159	20	M24	26	242	13,485
12033	M24X250	39	250	159	20	M24	26	292	13,485
12077	M30X100	40	100	159	26	M30	26	143	15,735
12081	M30X150	40	150	159	26	M30	26	193	15,735
12085	M30X200	40	200	159	26	M30	26	243	15,735
12089	M30X250	40	250	159	26	M30	26	293	15,735

Stainless steel base AISI 304 (AISI 316 available upon request). Antislip mounts are available with NBR rubber 70 shore. Stainless steel screw AISI 304 (AISI 316 available upon request). The leveling element can be supplied, on request, with steel nut.

Load values mentioned above refer to static conditions calculated at half of the screw length. In conditions of vibrations or in presence of dynamic loads these values should be reduced. We cannot accept responsibility for mounts that have been tampered or modified.