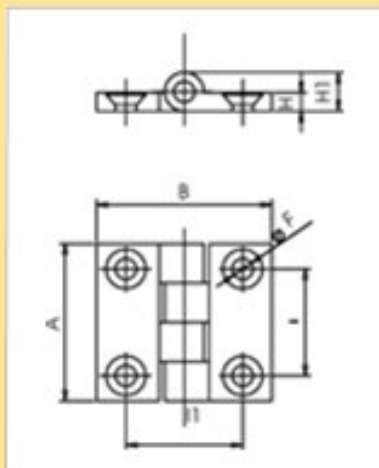
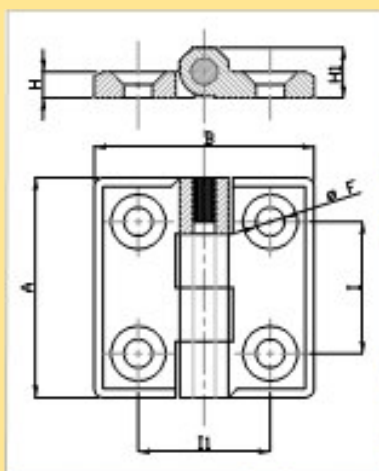


STAINLESS STEEL HINGES



CODE	Description	MAIN DIMENSIONS						
		A	B	I	I1	F	H	H1
60000	SS HINGE 38X38	38	38	23	23	5,5	4	9
60010	SS HINGE 50X50	50	50	34,5	34,5	5,5	5	10

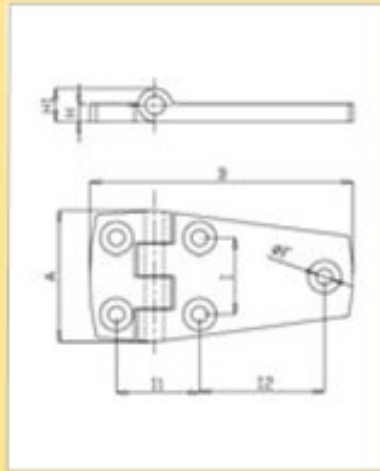


CODE	Description	MAIN DIMENSIONS						
		A	B	I	I1	F	H	H1
60000/2L	SS HINGE 39X39 Polished	39	39	25	25	5,5	4	9
60000/2S	SS HINGE 39X39 Brushed	39	39	25	25	5,5	4	9
60010/1L	SS HINGE 50x50 Polished	50	50	30	30	6,5	6	12
60010/1S	SS HINGE 50x50 Brushed	50	50	30	30	6,5	6	12

Material - stainless steel body AISI 304; stainless steel drawbolt.

Maximum angle of rotation 270°

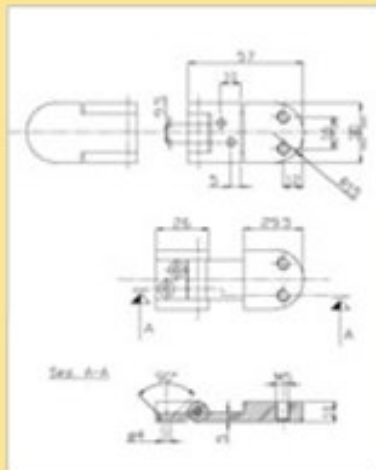
STAINLESS STEEL HINGES



CODE	Description	MAIN DIMENSIONS							
		A	B	I	I1	I2	F	H	H1
60012	SS HINGE 40X58	40	58	20	24	16	5	4	9,5
60014	SS HINGE 38X73	38	73	21	32	25,5	5	4	9,5

Material - stainless steel body AISI 304; stainless steel drawbolt.

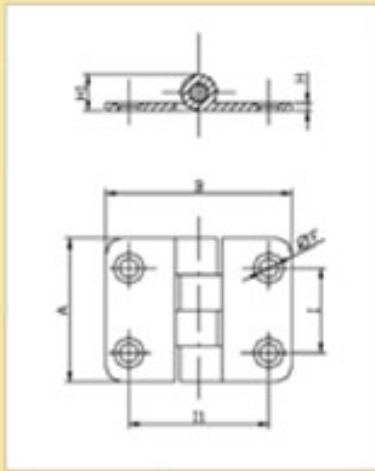
Maximum angle of rotation 270°



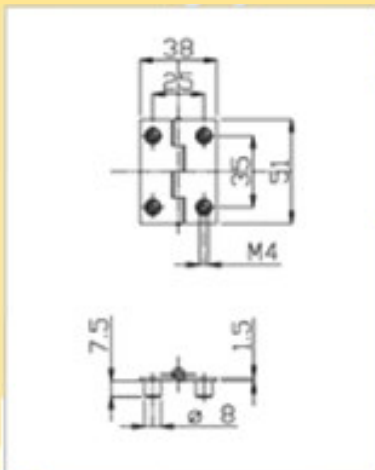
CODE	Description
60050L	SS HINGE WITH POLISHED HATCH 57X30
60050S	SS HINGE WITH BRUSHED HATCH 57X30

Material - stainless steel body AISI 316; stainless steel drawbolt.

STAINLESS STEEL HINGES



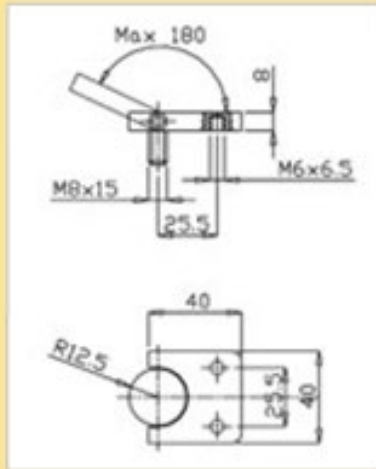
CODE	Description	MAIN DIMENSIONS						
		A	B	I	I1	F	H	H1
60020	SS HINGE 38X38	38	38	20,5	26	5,5	2	9,5
60030	SS HINGE 37X48	37	48	22	36	5,5	2	9,5
60035	SS HINGE 37X51	51	37	34	27	6	1,20	6



CODE	Description
60040	SS HINGE 51X38

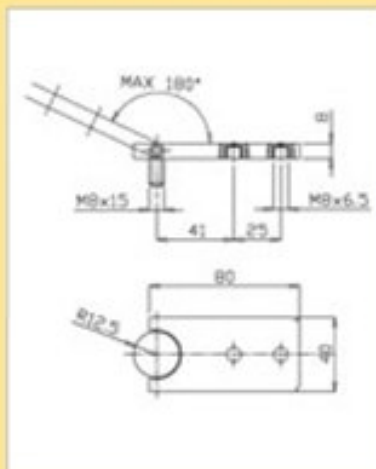
Material - stainless steel body AISI 316; stainless steel drawbolt.

STAINLESS STEEL HINGES



CODE	Description
60080L	SS HINGE WITH POLISHED DOOR 40X40
60080S	SS HINGE WITH BRUSHED DOOR 40X40

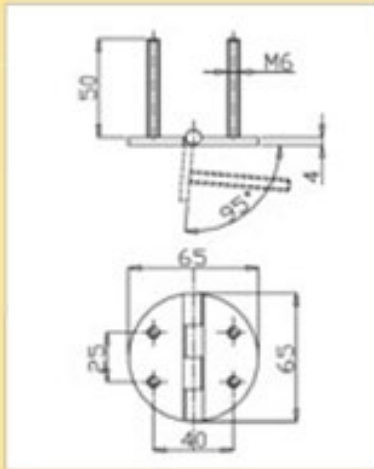
Material - stainless steel AISI 304



CODE	Description
60090L	SS HINGE WITH POLISHED DOOR 40X80
60090S	SS HINGE WITH BRUSHED DOOR 40X80

Material - stainless steel AISI 304

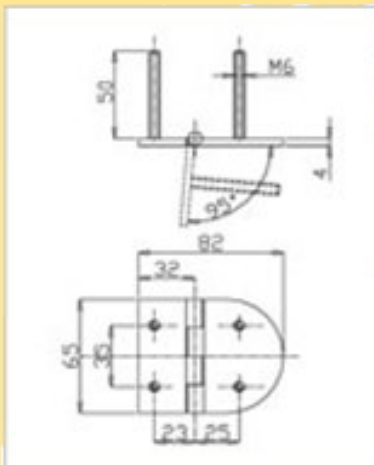
STAINLESS STEEL HINGES



CODE	Description
60060L	SS HINGE – POLISHED 65x65
60060S	SS HINGE – BRUSHED 65x65

Material - stainless steel AISI 316

Stainless steel drawbolt. Maximum angle of rotation 95°

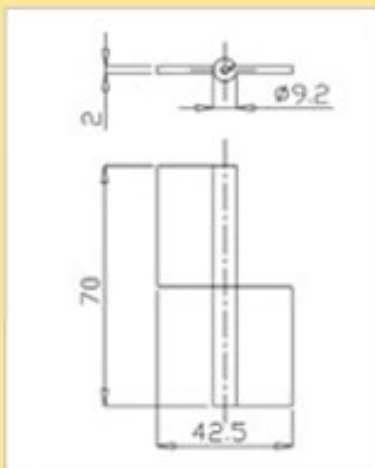


CODE	Description
60070L	SS HINGE – POLISHED 65x82
60070S	SS HINGE – BRUSHED 65x82

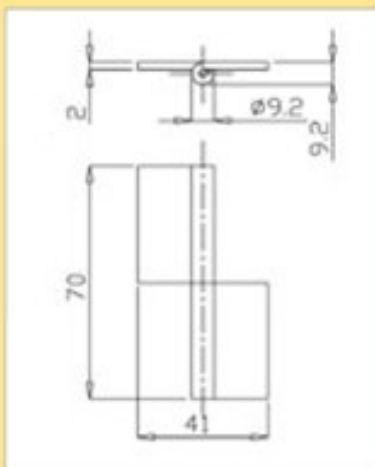
Material - stainless steel AISI 316

Stainless steel drawbolt. Maximum angle of rotation 95°

STAINLESS STEEL HINGES



CODE	Description
60110	SS HINGE ATTACHED VIA WELDING

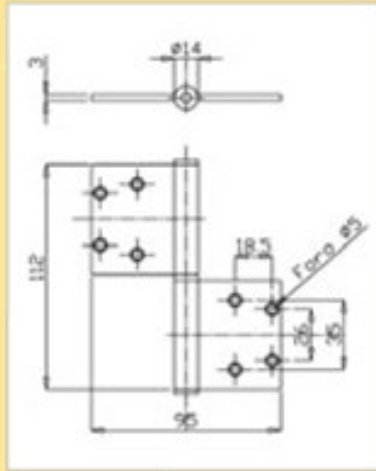


CODE	Description
60120	SS HINGE ATTACHED VIA WELDING

Material - stainless steel AISI 316

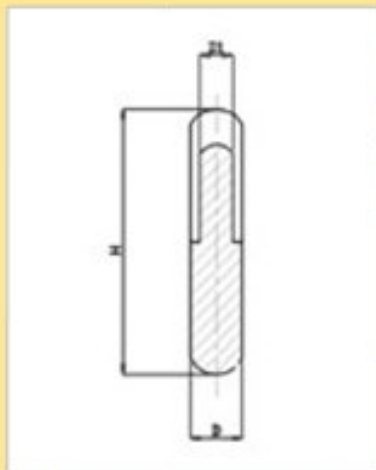
Stainless steel drawbolt. Hinge attached via welding.

STAINLESS STEEL HINGES



CODE	Description
60100	SS HINGE WITH HOLES

Material - stainless steel AISI 304



CODE	Description	D	D1	H
60130	SS HINGE - EXTRACTABLE	8	5	42
60140	SS HINGE - EXTRACTABLE	10	6	52
60150	SS HINGE - EXTRACTABLE	13	8	72
60160	SS HINGE - EXTRACTABLE	16	10	82

Material – stainless steel AISI 304. Surface turned (sandblasted or polished upon request).