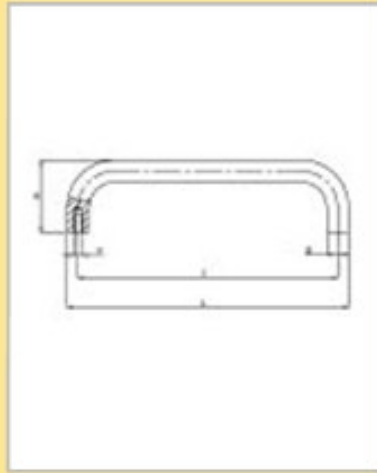
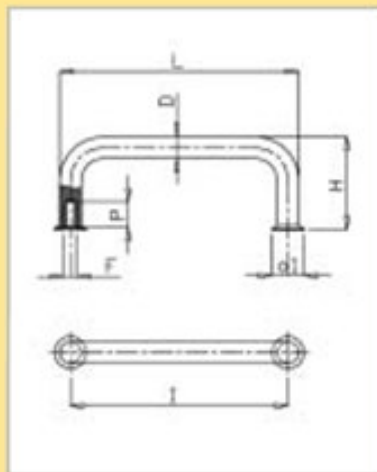


# STAINLESS STEEL HANDLES



CODE	Description	MAIN DIMENSIONS				
		L	I	D	H	F
40000	CURVED STAINLESS STEEL HANDLE	195	183	12	40	M5X10
40002	CURVED STAINLESS STEEL HANDLE	104	96	8	28	M4X10

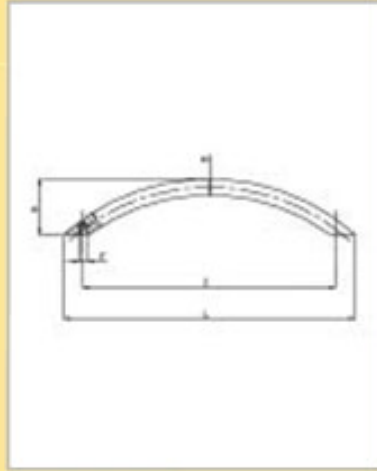


CODE	Description	MAIN DIMENSIONS				
		L	I	D	H	F
40003L	CURVED SS HANDLE - POLISHED	98	88	10	43	M5X10
40003S	CURVED SS HANDLE - BRUSHED/FROSTED	98	88	10	43	M5X10
40004L	CURVED SS HANDLE - POLISHED	110	100	10	43	M5X10
40004S	CURVED SS HANDLE - BRUSHED/FROSTED	110	100	10	43	M5X10
40005L	CURVED SS HANDLE - POLISHED	130	120	10	43	M5X10
40005S	CURVED SS HANDLE - BRUSHED/FROSTED	130	120	10	43	M5X10
40006L	CURVED SS HANDLE - POLISHED	190	180	10	43	M5X10
40006S	CURVED SS HANDLE - BRUSHED/FROSTED	190	180	10	43	M5X10

**Material - stainless steel aisi 304. Polished surface (sandblasted treatment on request)**

**Applications: pharmaceutical, chemical, food, wine and packaging industry.**

# STAINLESS STEEL HANDLES

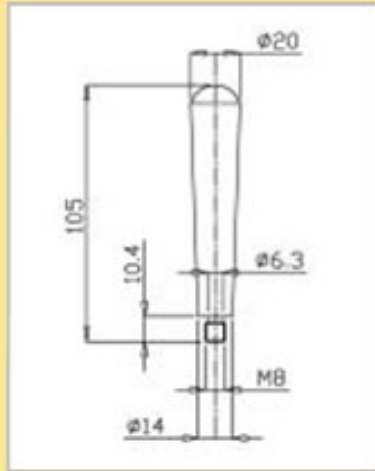


CODE	Description	MAIN DIMENSIONS				
		L	I	D	H	F
40010	STAINLESS STEEL ARC HANDLE	182	161	10	37	M4X5

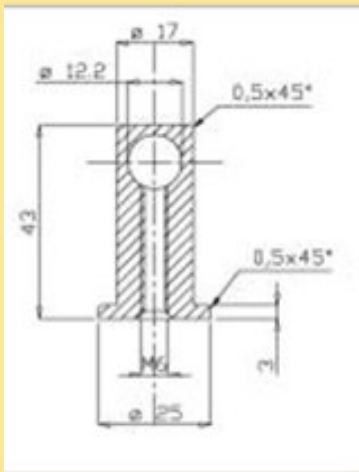
**Material - stainless steel AISI 304. Polished surface (sandblasted treatment on request)**

**Applications: pharmaceutical, chemical, food, wine and packaging industry.**

# STAINLESS STEEL HANDLES



CODE	Description
40020L	STAINLESS STEEL GRIP (DIAMETER 3/4") - POLISHED
40020S	STAINLESS STEEL GRIP (DIAMETER 3/4") - BRUSHED/FROSTED



CODE	Description
40030	COMPONENT HANDLES

**Material - stainless steel AISI 304. Polished surface (sandblasted treatment on request)**

**Applications: pharmaceutical, chemical, food, wine and packaging industry.**