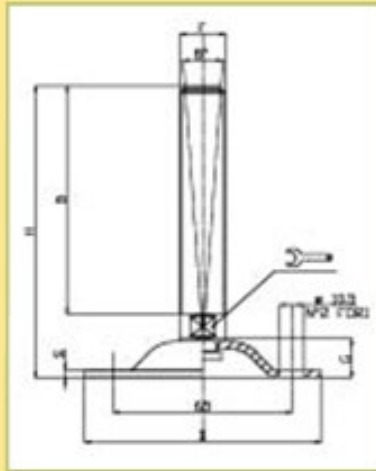



**STAINLESS STEEL PRESSED BASE (85mm/3.35in) WITH 2 FIXING HOLES  
ARTICULATED STAINLESS STEEL SCREW 8°**



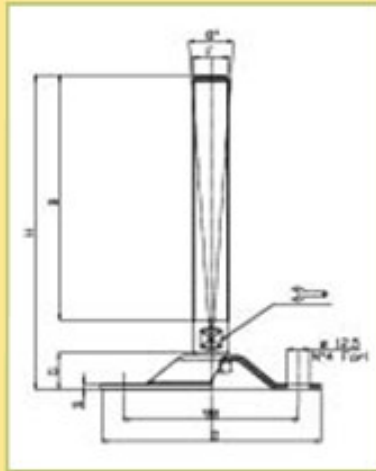
| CODE  | Description | MAIN DIMENSIONS |     |      |   |     |    |     | STATIC LOAD<br>Lbs. |
|-------|-------------|-----------------|-----|------|---|-----|----|-----|---------------------|
|       |             | S               | B   | D    |  | F   | G  | H   |                     |
| 15688 | M16X100     | 3               | 100 | Ø 85 | 13  | M16 | 13 | 121 | 2695                |
| 15690 | M16X150     | 3               | 150 | Ø 85 | 13  | M16 | 13 | 171 | 2695                |
| 15692 | M16X175     | 3               | 175 | Ø 85 | 13  | M16 | 13 | 196 | 2695                |
| 15694 | M20X100     | 3               | 100 | Ø 85 | 17  | M20 | 13 | 136 | 2695                |
| 15696 | M20X150     | 3               | 150 | Ø 85 | 17  | M20 | 13 | 180 | 2695                |
| 15698 | M20X200     | 3               | 200 | Ø 85 | 17  | M20 | 13 | 237 | 2695                |

**Material: stainless steel base AIS 304**

**Stainless steel screw AIS 304. The leveling mount can be supplied with steel nut upon request.**

**Load values mentioned above refer to static conditions calculated at half of the screw length. In conditions of vibrations or in presence of dynamic loads these values should be reduced. We cannot accept responsibility for mounts that have been tampered or modified.**

# STAINLESS STEEL PRESSED BASE (85mm/3.35in) WITH 4 FIXING HOLES ARTICULATED STAINLESS STEEL SCREW 8°



| CODE  | Description | MAIN DIMENSIONS |     |       |   |     |      |     | STATIC LOAD<br>Lbs. |
|-------|-------------|-----------------|-----|-------|---|-----|------|-----|---------------------|
|       |             | S               | B   | D     |  | F   | G    | H   |                     |
| 15700 | M16X100     | 3               | 100 | Ø 123 | 17  | M16 | 20,5 | 134 | 4495                |
| 15702 | M16X150     | 3               | 150 | Ø 123 | 17  | M16 | 20,5 | 184 | 4495                |
| 15704 | M16X175     | 3               | 175 | Ø 123 | 17  | M16 | 20,5 | 209 | 4495                |
| 15706 | M20X100     | 3               | 100 | Ø 123 | 17  | M20 | 20,5 | 134 | 4495                |
| 15708 | M20X150     | 3               | 150 | Ø 123 | 17  | M20 | 20,5 | 184 | 4495                |
| 15710 | M20X200     | 3               | 200 | Ø 123 | 17  | M20 | 20,5 | 234 | 4495                |
| 15712 | M24X100     | 3               | 100 | Ø 123 | 20  | M24 | 20,5 | 134 | 4495                |
| 15714 | M24X150     | 3               | 150 | Ø 123 | 20  | M24 | 20,5 | 184 | 4495                |
| 15716 | M24X200     | 3               | 200 | Ø 123 | 20  | M24 | 20,5 | 234 | 4495                |
| 15718 | M30X150     | 3               | 150 | Ø 123 | 26  | M30 | 20,5 | 185 | 4495                |
| 15720 | M30X200     | 3               | 200 | Ø 123 | 26  | M30 | 20,5 | 235 | 4495                |
| 15722 | M30X250     | 3               | 250 | Ø 123 | 26  | M30 | 20,5 | 285 | 4495                |

**Material: stainless steel base AIS 304**

**Stainless steel screw AIS 304. The leveling mount can be supplied with steel nut upon request.**

**Load values mentioned above refer to static conditions calculated at half of the screw length. In conditions of vibrations or in presence of dynamic loads these values should be reduced. We cannot accept responsibility for mounts that have been tampered or modified.**