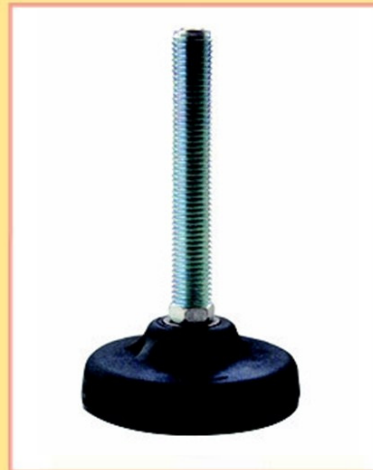
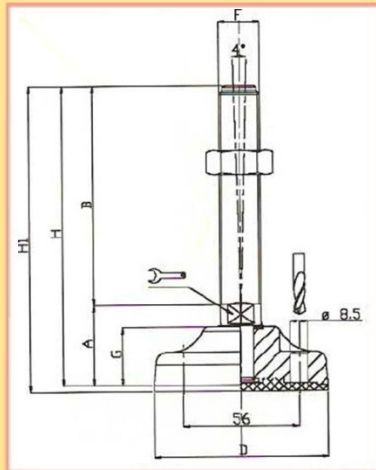



PLASTIC BASE (83mm/3.25in) WITH FIXED STAINLESS STEEL SCREW



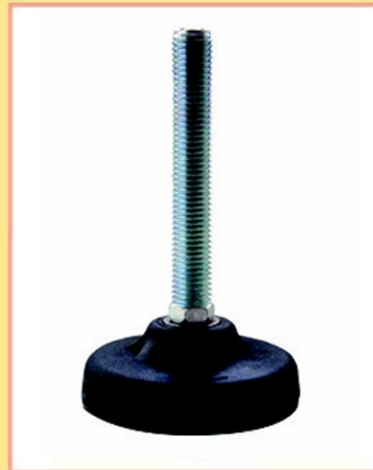
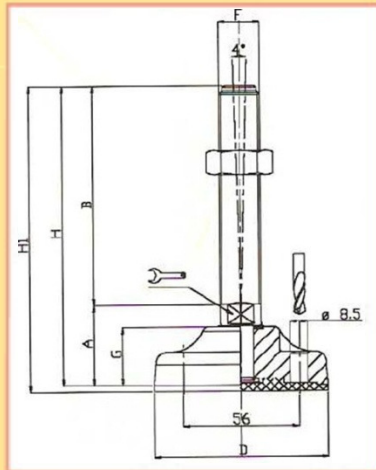
CODE		Description	MAIN DIMENSIONS								STATIC LOAD Lbs.
Standard	Antislip		A	B	D		F	G	H	H1	
12630/10	12631/10	M10X50	36	50	83	13	M10	28	86	89	3370
12632/10	12633/10	M10X75	36	75	83	13	M10	28	111	114	3370
12634/10	12635/10	M10X100	36	100	83	13	M10	28	136	139	3370
12636/10	12637/10	M10X125	36	125	83	13	M10	28	161	164	3370
12630/12	12631/12	M12X50	36	50	83	13	M12	28	86	89	3370
12632/12	12633/12	M12X75	36	75	83	13	M12	28	111	114	3370
12634/12	12635/12	M12X100	36	100	83	13	M12	28	136	139	3370
12636/12	12637/12	M12X125	36	125	83	13	M12	28	161	164	3370
12630	12631	M14X50	36	50	83	13	M14	28	86	89	4495
12632	12633	M14X75	36	75	83	13	M14	28	111	114	4495
12634	12635	M14X100	36	100	83	13	M14	28	136	139	4495
12636	12637	M14X125	36	125	83	13	M14	28	161	164	4495
12638	12639	M14X150	36	150	83	13	M14	28	186	189	4495
12640	12641	M14X175	36	175	83	13	M14	28	212	215	4495


Base is black polyamide material, reinforced by fiberglass. Non-skid plate in NBR rubber 70 shore is available upon request (Standard code = without rubber)

Galvanized steel screw. The leveling mount can be supplied with steel nut upon request.

Load values mentioned above refer to static conditions calculated at half of the screw length. In conditions of vibrations or in presence of dynamic loads these values should be reduced. We cannot accept responsibility for mounts that have been tampered or modified.

PLASTIC BASE (83mm/3.25in) WITH FIXED STAINLESS STEEL SCREW



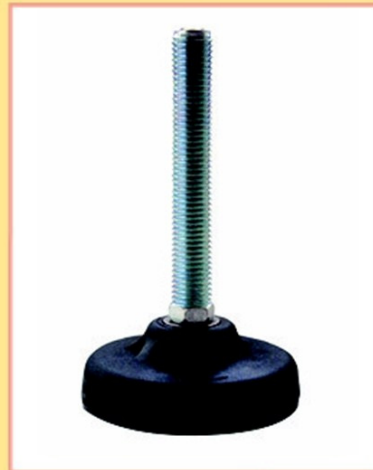
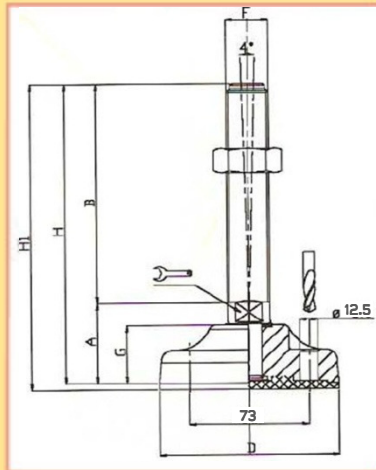
CODE		Description	MAIN DIMENSIONS								STATIC LOAD Lbs.
Standard	Antislip		A	B	D		F	G	H	H1	
12658	12659	M16X50	40	50	83	13	M16	28	90	93	4495
12660	12661	M16X75	40	75	83	13	M16	28	115	118	4495
12662	12663	M16X100	40	100	83	13	M16	28	140	143	4495
12664	12665	M16X125	40	125	83	13	M16	28	165	168	4495
12666	12667	M16X150	40	150	83	13	M16	28	190	193	4495
12668	12669	M16X175	40	175	83	13	M16	28	215	218	4495
12670	12671	M16X200	40	200	83	13	M16	28	240	243	4495
12688	12689	M20X75	40	75	83	17	M20	28	115	118	4495
12690	12691	M20X100	40	100	83	17	M20	28	140	143	4495
12692	12693	M20X125	40	125	83	17	M20	28	165	168	4495
12694	12695	M20X150	40	150	83	17	M20	28	190	193	4495
12696	12697	M20X175	40	175	83	17	M20	28	215	218	4495
12698	12699	M20X200	40	200	83	17	M20	28	240	243	4495
12700	12701	M20X225	40	225	83	17	M20	28	265	268	4495


Base is black polyamide material, reinforced by fiberglass. Non-skid plate in NBR rubber 70 shore is available upon request (Standard code = without rubber)

Galvanized steel screw. The leveling mount can be supplied with steel nut upon request.

Load values mentioned above refer to static conditions calculated at half of the screw length. In conditions of vibrations or in presence of dynamic loads these values should be reduced. We cannot accept responsibility for mounts that have been tampered or modified.

PLASTIC BASE (103mm/4in) WITH FIXED STAINLESS STEEL SCREW



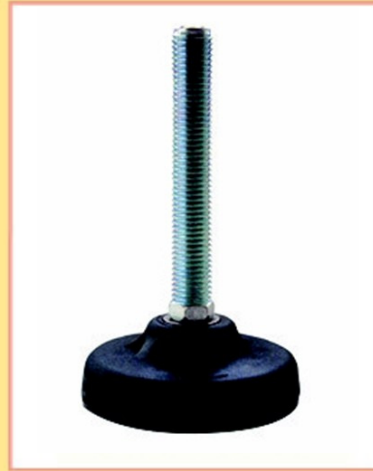
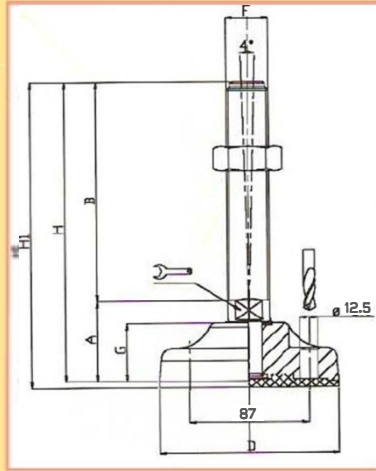
CODE		Description	MAIN DIMENSIONS								STATIC LOAD Lbs.
Standard	Antislip		A	B	D		F	G	H	H1	
12718	12719	M16X50	45	50	103	17	M16	33	95	98	7865
12720	12721	M16X75	45	75	103	17	M16	33	120	123	7865
12722	12723	M16X100	45	100	103	17	M16	33	145	148	7865
12724	12725	M16X125	45	125	103	17	M16	33	170	173	7865
12726	12727	M16X150	45	150	103	17	M16	33	195	198	7865
12728	12729	M16X175	45	175	103	17	M16	33	220	223	7865
12730	12731	M16X200	45	200	103	17	M16	33	245	248	7865
12732	12733	M16X225	45	225	103	17	M16	33	270	273	7865
12752	12753	M20X75	45	75	103	17	M20	33	120	123	7865
12754	12755	M20X100	45	100	103	17	M20	33	145	148	7865
12756	12757	M20X125	45	125	103	17	M20	33	170	173	7865
12758	12759	M20X150	45	150	103	17	M20	33	195	198	7865
12760	12761	M20X175	45	175	103	17	M20	33	220	223	7865
12762	12763	M20X200	45	200	103	17	M20	33	245	248	7865
12764	12765	M20X225	45	225	103	17	M20	33	270	273	7865
12784	12785	M24X75	47	75	103	20	M24	33	122	125	7865
12786	12787	M24X100	47	100	103	20	M24	33	147	150	7865
12788	12789	M24X125	47	125	103	20	M24	33	172	175	7865
12790	12791	M24X150	47	150	103	20	M24	33	197	200	7865
12792	12793	M24X175	47	175	103	20	M24	33	222	225	7865
12794	12795	M24X200	47	200	103	20	M24	33	247	250	7865
12796	12797	M24X225	47	225	103	20	M24	33	272	275	7865


Base is black polyamide material, reinforced by fiberglass. Non-skid plate in NBR rubber 70 shore is available upon request (Standard code = without rubber)

Galvanized steel screw. The leveling mount can be supplied with steel nut upon request.

Load values mentioned above refer to static conditions calculated at half of the screw length. In conditions of vibrations or in presence of dynamic loads these values should be reduced. We cannot accept responsibility for mounts that have been tampered or modified.

PLASTIC BASE (123mm/4.75in) WITH FIXED STAINLESS STEEL SCREW



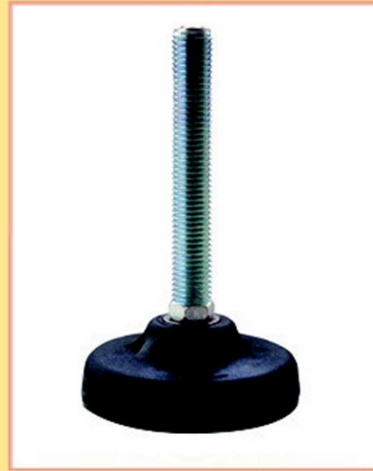
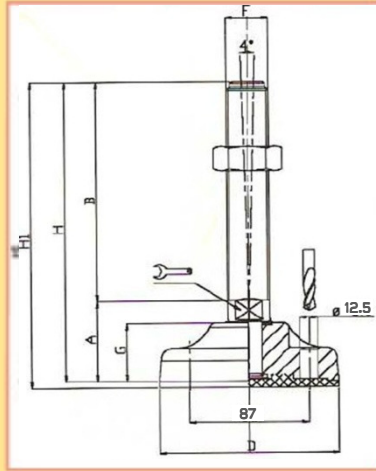
CODE		Description	MAIN DIMENSIONS								STATIC LOAD Lbs.
Standard	Antislip		A	B	D		F	G	H	H1	
12814	12815	M16X50	50	50	123	20	M16	37	100	103	10115
12816	12817	M16X75	50	75	123	20	M16	37	125	128	10115
12818	12819	M16X100	50	100	123	20	M16	37	150	153	10115
12820	12821	M16X125	50	125	123	20	M16	37	175	178	10115
12822	12823	M16X150	50	150	123	20	M16	37	200	203	10115
12824	12825	M16X175	50	175	123	20	M16	37	225	228	10115
12826	12827	M16X200	50	200	123	20	M16	37	250	253	10115
12828	12829	M16X225	50	225	123	20	M16	37	275	278	10115
12848	12849	M20X75	50	75	123	20	M20	37	125	128	10115
12850	12851	M20X100	50	100	123	20	M20	37	150	153	10115
12852	12853	M20X125	50	125	123	20	M20	37	175	178	10115
12854	12855	M20X150	50	150	123	20	M20	37	200	203	10115
12856	12857	M20X175	50	175	123	20	M20	37	225	228	10115
12858	12859	M20X200	50	200	123	20	M20	37	250	253	10115
12860	12861	M20X225	50	225	123	20	M20	37	275	278	10115
12818/20	12819/20	M16X100	50	100	123	17	M16	37	150	153	8990
12822/20	12823/20	M16X150	50	150	123	17	M16	37	200	203	8990
12826/20	12827/20	M16X200	50	200	123	17	M16	37	250	253	8990
12850/20	12851/20	M20X100	50	100	123	17	M20	37	150	153	8990
12854/20	12855/20	M20X150	50	150	123	17	M20	37	200	203	8990
12858/20	12859/20	M20X200	50	200	123	17	M20	37	250	253	8990


Base is black polyamide material, reinforced by fiberglass. Non-skid plate in NBR rubber 70 shore is available upon request (Standard code = without rubber)

Galvanized steel screw. The leveling mount can be supplied with steel nut upon request.

Load values mentioned above refer to static conditions calculated at half of the screw length. In conditions of vibrations or in presence of dynamic loads these values should be reduced. We cannot accept responsibility for mounts that have been tampered or modified.

PLASTIC BASE (123mm/4.75in) WITH FIXED STAINLESS STEEL SCREW



CODE		Description	MAIN DIMENSIONS								STATIC LOAD Lbs.
Standard	Antislip		A	B	D		F	G	H	H1	
12878	12879	M24X75	50	75	123	20	M24	37	125	128	10115
12880	12881	M24X100	50	100	123	20	M24	37	150	153	10115
12882	12883	M24X125	50	125	123	20	M24	37	175	178	10115
12884	12885	M24X150	50	150	123	20	M24	37	200	203	10115
12886	12887	M24X175	50	175	123	20	M24	37	225	228	10115
12888	12889	M24X200	50	200	123	20	M24	37	250	253	10115
12890	12891	M24X225	50	225	123	20	M24	37	275	278	10115
12892	12893	M24X250	50	250	123	20	M24	37	300	303	10115
12910	12911	M30X100	50	100	123	26	M30	37	150	153	10115
12912	12913	M30X125	50	125	123	26	M30	37	175	178	10115
12914	12915	M30X150	50	150	123	26	M30	37	200	203	10115
12916	12917	M30X175	50	175	123	26	M30	37	225	228	10115
12918	12919	M30X200	50	200	123	26	M30	37	250	253	10115
12920	12921	M30X225	50	225	123	26	M30	37	275	278	10115
12922	12923	M30X250	50	250	123	26	M30	37	300	303	10115

Base is black polyamide material, reinforced by fiberglass. Non-skid plate in NBR rubber 70 shore is available upon request (Standard code = without rubber)

Galvanized steel screw. The leveling mount can be supplied with steel nut upon request.

Load values mentioned above refer to static conditions calculated at half of the screw length. In conditions of vibrations or in presence of dynamic loads these values should be reduced. We cannot accept responsibility for mounts that have been tampered or modified.