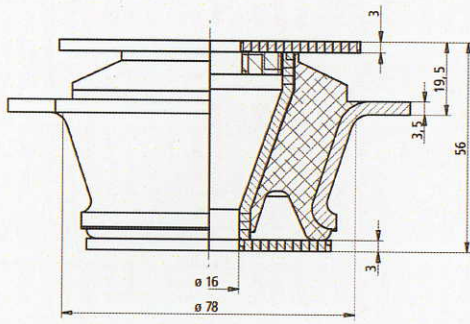
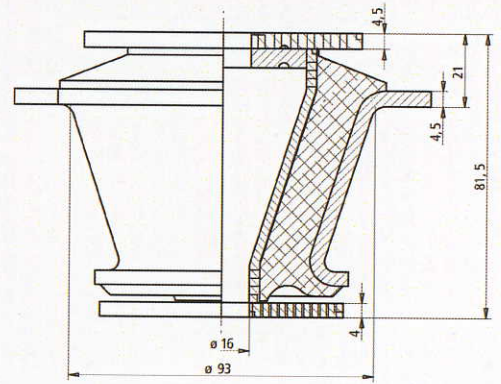


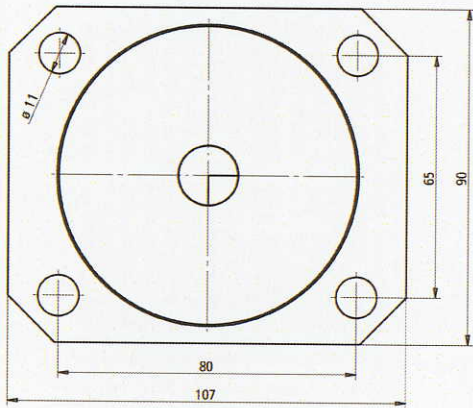
KO78



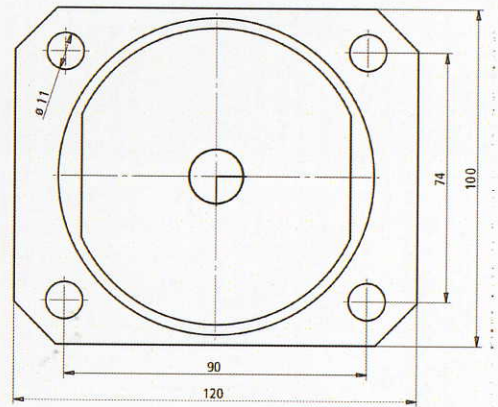
KO93



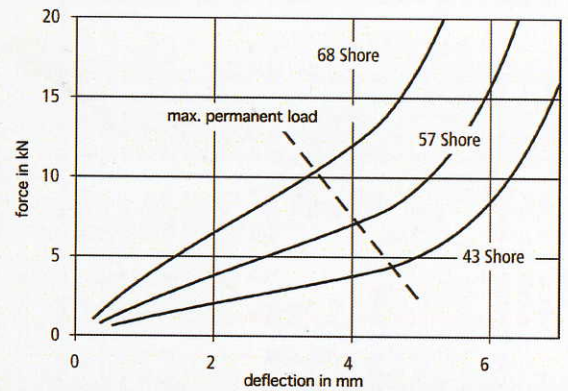
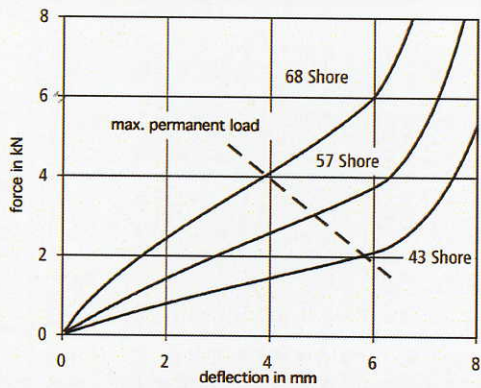
KO78

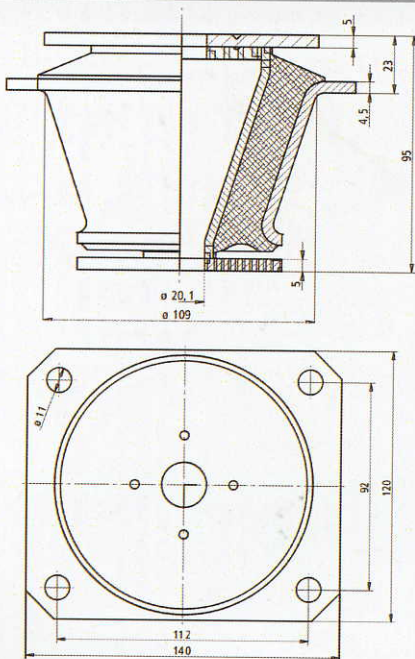


KO93

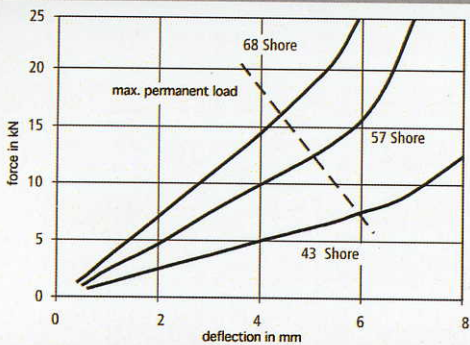


Load Deflection Graph





Load Deflection Graph



	Axial Load		Radial Load
	Spring Rate Stiffness	max. static permanent load	Spring Rate Stiffness
Part No.	N/mm (lbs/Inch)	[N] (lbf)	N/mm (lbs/Inch)
KO46w	110 630 lbs/in	500 112 lbs	290 1659 lbs/in
KO46	190 1090 lbs/in	700 157 lbs	360 2060 lbs/in
KO46h	320 1830 lbs/in	1010 227 lbs	600 3434 lbs/in
KO60w	220 1260 lbs/in	1050 236 lbs	500 2862 lbs/in
KO60	390 2230 lbs/in	1490 335 lbs	850 4865 lbs/in
KO60h	640 3660 lbs/in	2010 451 lbs	1410 8070 lbs/in
KO78w	370 2120 lbs/in	1920 431 lbs	810 4636 lbs/in
KO78	630 3606 lbs/in	2800 629 lbs	1380 7899 lbs/in
KO78h	1030 5895 lbs/in	3850 865 lbs	2290 13107 lbs/in
KO93w	920 5266 lbs/in	4400 989 lbs	1830 10474 lbs/in
KO93	1580 9043 lbs/in	6310 1418 lbs	3150 18030 lbs/in
KO93h	2610 14940 lbs/in	8700 1955 lbs	5220 29880 lbs/in
KO109w	1100 6296 lbs/in	6410 1441 lbs	2660 15260 lbs/in
KO109	2190 12535 lbs/in	11390 2560 lbs	4290 24555 lbs/in
KO109h	3300 18890 lbs/in	15570 3500 lbs	6410 36690 lbs/in