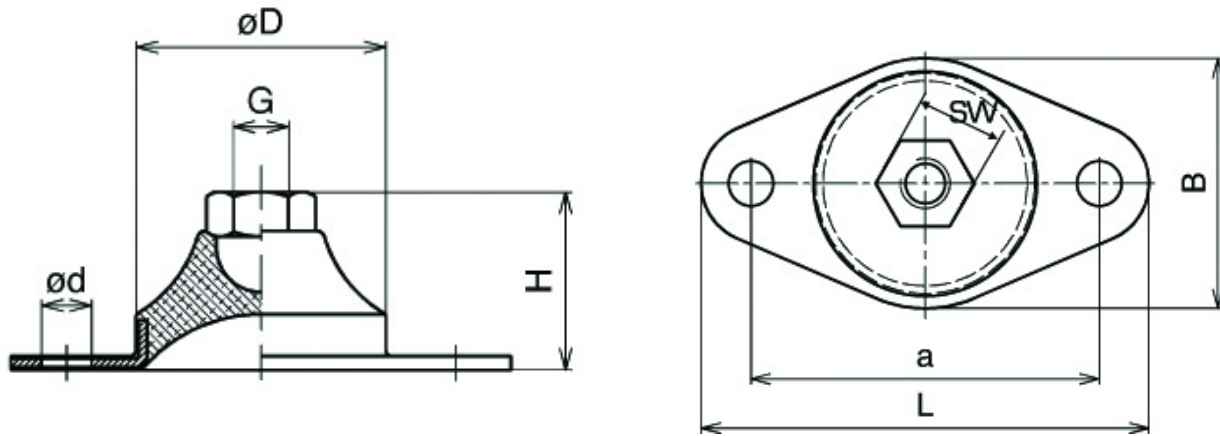


Flex-Elements



Part Number	Length x Height mm (Inch) (L) x (H)	Mounting hole (Inch) (d)	Hole Separation mm (Inch) (a)	Rubber Diameter (Inch) (D)	Flange Width (Inch) (B)	(Inch) (SW)	Thread size mm (Inch) (G)	Quality ShoreA Duro	Max. Static Shear Force (horizontal)	
									daN	lbs
H6020w	60 x 20 (2.36) x (.79)	6 (.24)	45 (1.77)	30 (1.18)	35 (1.38)	11 (.43)	M6	43	10	22
H6020								57	18	40
H6020h								68	25	56
H9032w	90 x 32 (3.54) x (1.26)	9 (.35)	70 (2.76)	45 (1.77)	50 (1.97)	17 (.67)	M10	43	22	49
H9032								57	36	81
H9032h								68	55	124
H14050w	140 x 50 (5.51) x (1.97)	13 (.51)	105 (4.13)	70 (2.76)	80 (3.15)	24 (.94)	M16	43	80	180
H14050								57	144	324
H14050h								68	220	495

UNC Threads upon request.