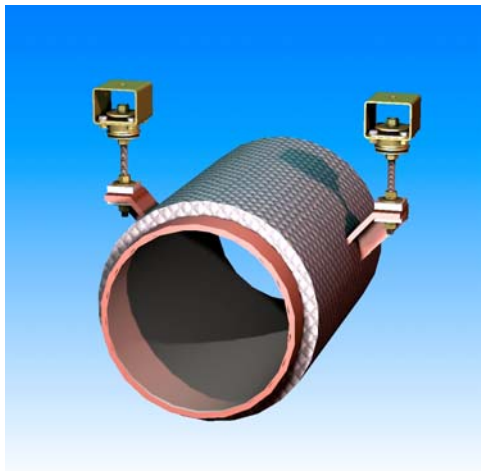
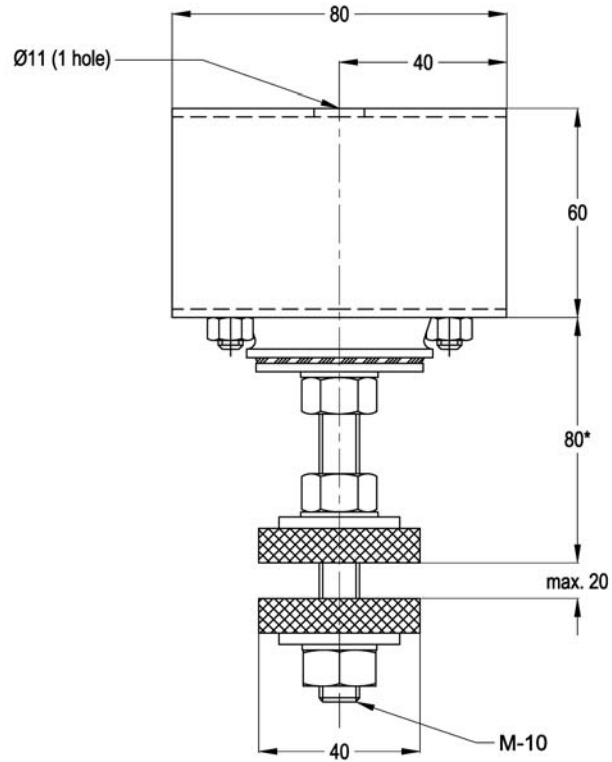
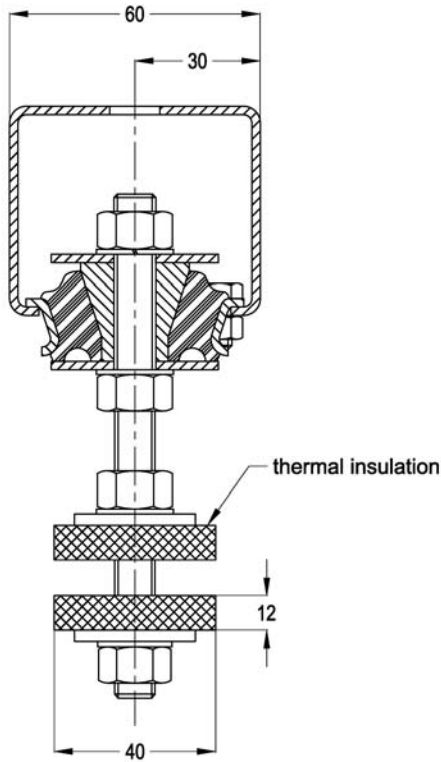
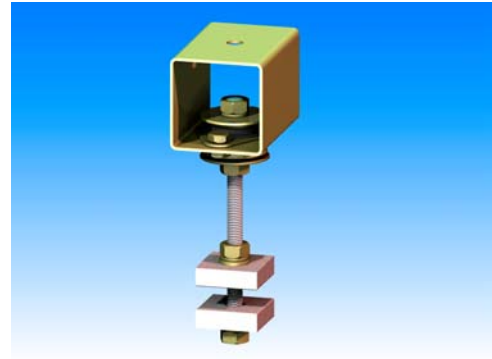


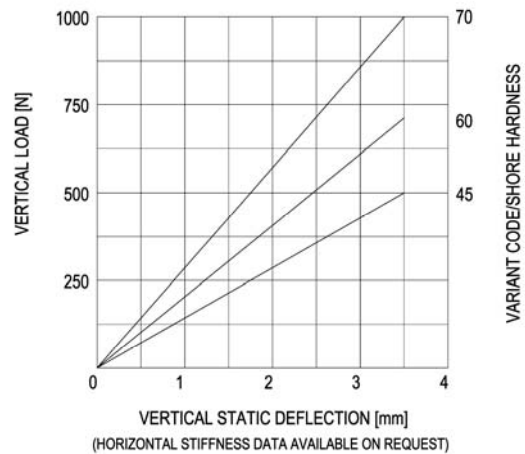
# type HFA-100 Flex. Fixed Point

**HFA-type** Flexible Fixed Points are used to support both pipe sections and exhaust silencers and are fitted with thermal insulating plates for heat protection. These elements are easy to fit and feature protection against complete loss of support in the event of mechanical or fire damage. Customers are recommended to contact our application engineers for further technical information on products and applications.

Load Capacity: 100 to 1000 N



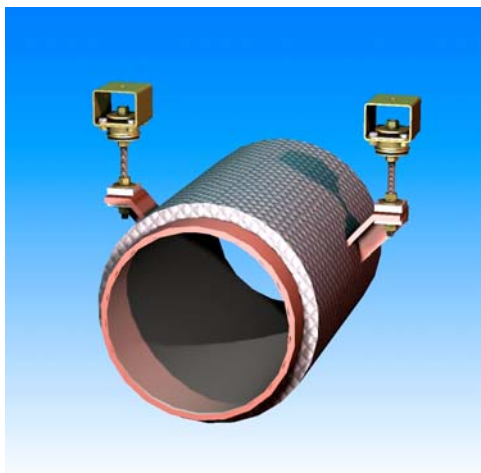
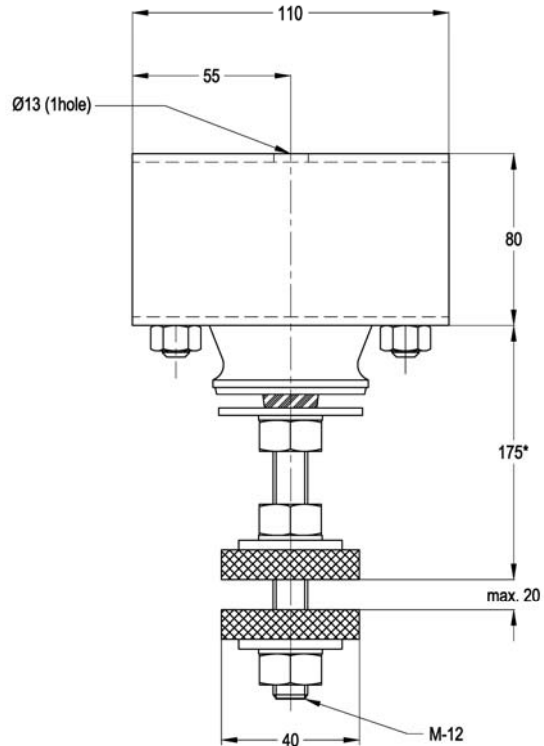
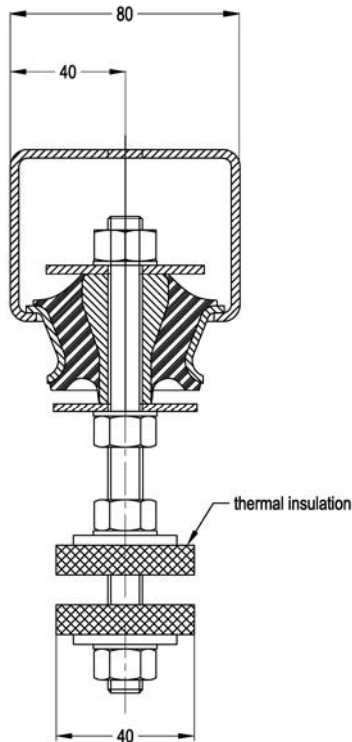
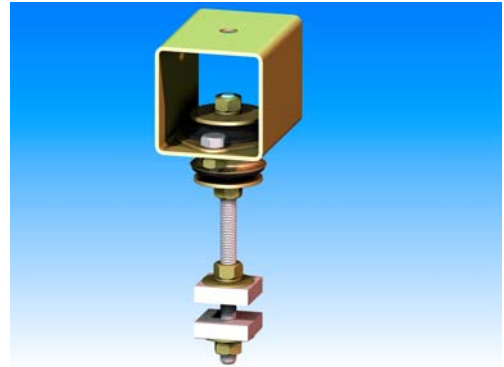
## LOAD CHARACTERISTICS



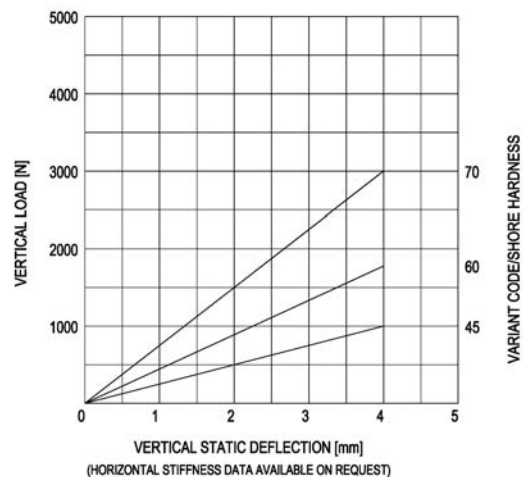
# type HFA-300 Flex. Fixed Point

**HFA-type** Flexible Fixed Points are used to support both pipe sections and exhaust silencers and are fitted with thermal insulating plates for heat protection. These elements are easy to fit and feature protection against complete loss of support in the event of mechanical or fire damage. Customers are recommended to contact our application engineers for further technical information on products and applications.

Load Capacity: 300 to 3000 N



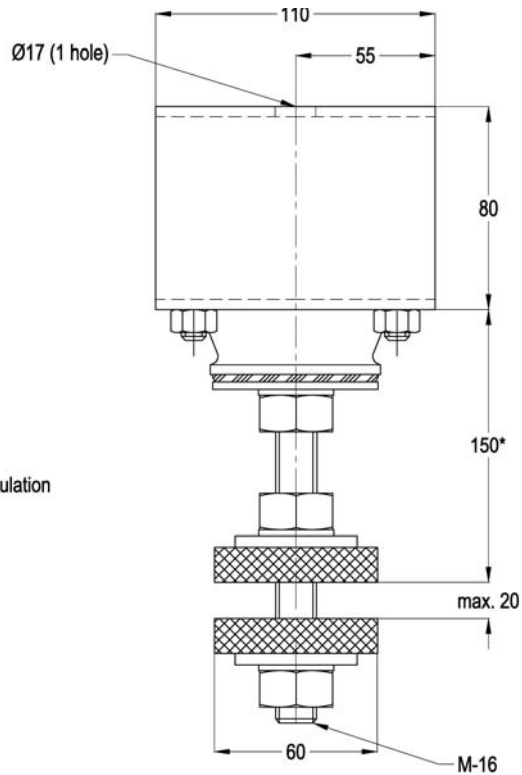
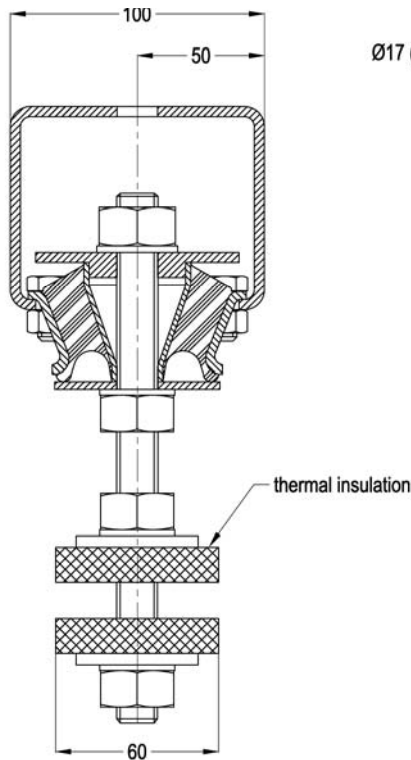
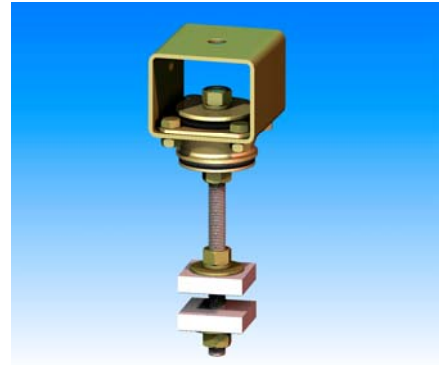
## LOAD CHARACTERISTICS



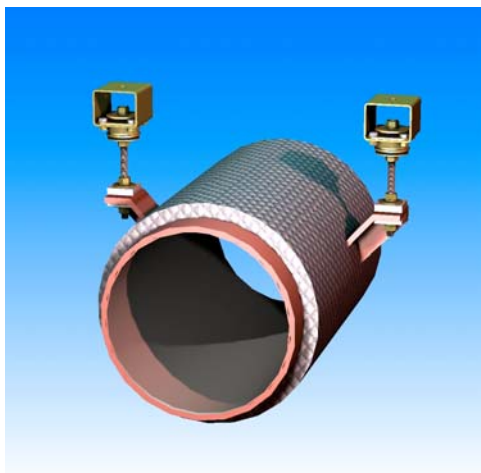
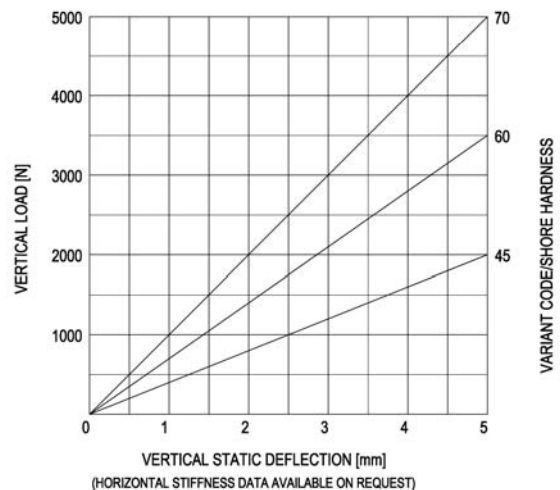
# type HFA-500 Flex. Fixed Point

**HFA-type** Flexible Fixed Points are used to support both pipe sections and exhaust silencers and are fitted with thermal insulating plates for heat protection. These elements are easy to fit and feature protection against complete loss of support in the event of mechanical or fire damage. Customers are recommended to contact our application engineers for further technical information on products and applications.

Load Capacity: 500 to 5000 N



## LOAD CHARACTERISTICS



# FFP/HFA/HSA– Installation Examples (1/1)

## Guidance for using Exhaust Suspension Mountings

