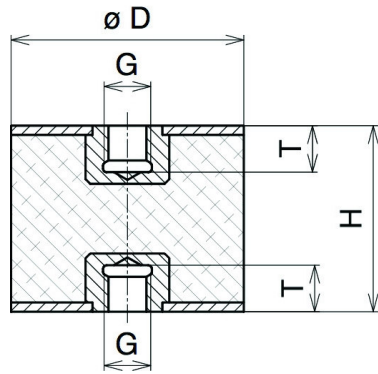
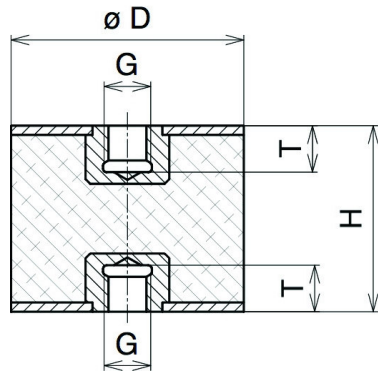


C-Mounts



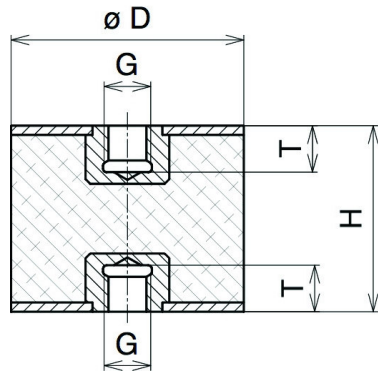
Part Number	Dia. x Height mm (Inch) (D) x (H)	Thread (G)	Depth mm (Inch) (T)	Thickness mm (Inch) (S)	Quality NR ShoreA Duro	Compression				Shear			
						Max. Static Load		Spring Rate Ks		Max. Static Load		Spring Rate Ks	
						N	lbs	N/mm	lbs/in	N	lbs	N/mm	lbs/in
0880I	8 x 8 (.31) x (.31)	M3	2 (.08)	1 (.04)	43	39	9	286	1616	13	3	21	119
0808C						72	16	529	2990	24	5	39	220
0808M						117	26	858	4849	39	9	63	356
1010I	10 x 10 (.39) x (.39)	M4	3 (.12)	1.2 (.05)	43	38	9	144	814	13	3	17	96
1010C						70	16	266	1505	24	5	31	178
1010M						114	26	432	2441	39	9	51	288
1013I	10 x 13 (.39) x (.51)	M4	4 (.16)	1.2 (.05)	43	22	5	39	220	7	8	8	45
1013C						41	9	72	408	13	3	15	84
1013M						66	15	117	661	21	5	24	136
1513I	15 x 13 (.59) x (.51)	M4	4 (.16)	1.5 (.06)	43	115	26	385	2176	38	9	34	192
1513C						213	48	712	4025	70	16	63	355
1513M						345	78	1155	6527	114	26	102	576
1520I	15 x 20 (.59) x (.79)	M4	4 (.16)	1.5 (.06)	43	70	16	140	791	23	5	20	113
1520C						130	29	259	1464	43	10	37	209
1520M						210	47	420	2374	69	16	60	339
2015I	20 x 15 (.79) x (.59)	M6	6 (.24)	2 (.08)	43	297	67	999	5646	99	22	60	339
2015C						549	124	1848	10444	183	41	111	627
2015M						891	200	2997	16937	297	67	180	1017
2020I	20 x 20 (.79) x (.79)	M6	15 (.59)	2 (.08)	43	109	25	136	769	36	8	23	130
2020C						202	45	252	1422	67	15	43	240
2020M						327	74	408	2306	108	24	69	390
2025I	20 x 25 (.79) x (.98)	M6	15 (.59)	2 (.08)	43	83	19	64	362	28	6	14	79
2025C						154	35	118	669	52	12	26	146
2025M						249	56	192	1085	84	19	42	237
2030I	20 x 30 (.79) x (1.18)	M6	15 (.59)	2 (.08)	43	73	16	41	232	24	5	10	57
2030C						135	30	76	429	44	10	19	105
2030M						219	49	123	695	72	16	30	170
2515I	25 x 15 (.98) x (.59)	M6	18 (.71)	2 (.08)	43	238	54	360	2034	79	18	42	237
2515C						440	99	666	3764	146	33	78	439
2515M						714	161	1080	6103	237	53	126	712
2519I	25 x 19 (.98) x (.75)	M6	18 (.71)	2 (.08)	43	154	35	132	746	51	11	24	136
2519C						285	64	244	1380	94	21	44	251
2519M						462	104	396	2238	153	34	72	407

C-Mounts



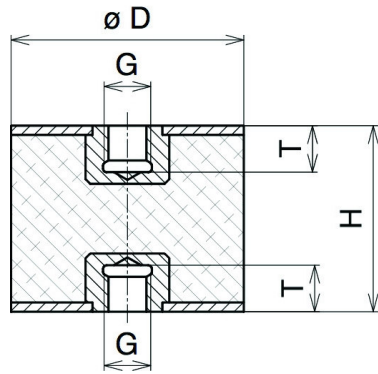
Part Number	Dia. x Height mm (Inch) (D) x (H)	Thread (G)	Depth mm (Inch) (T)	Thickness mm (Inch) (S)	Quality NR ShoreA Duro	Compression				Shear			
						Max. Static Load		Spring Rate Ks		Max. Static Load		Spring Rate Ks	
						N	lbs	N/mm	lbs/in	N	lbs	N/mm	lbs/in
2525I	25 x 25 (.98) x (.98)	M6	6 (.24)	2 (.08)	43	124	28	71	401	41	9	16	90
2525C						229	52	131	742	76	17	30	167
2525M						372	84	213	1204	123	28	48	271
2530I	25 x 30 (.98) x (1.18)	M6	6 (.24)	2 (.08)	43	114	26	50	283	38	9	12	68
2530C						211	47	93	523	70	16	22	125
2530M						342	77	150	848	114	26	36	203
2535I	25 x 35 (.98) x (1.38)	M6	6 (.24)	2 (.08)	43	107	24	39	220	36	8	10	57
2535C						198	45	72	408	67	15	19	105
2535M						321	72	117	661	108	24	30	170
3020I	30 x 20 (1.18) x (.79)	M8	8 (.31)	2 (.08)	43	271	61	261	1475	90	20	39	220
3020C						501	113	483	2729	167	37	72	408
3020M						813	183	783	4425	270	61	117	661
3025I	30 x 25 (1.18) x (.98)	M8	8 (.31)	2 (.08)	43	209	47	136	769	70	16	26	147
3025C						387	87	252	1422	130	29	48	272
3025M						627	141	408	2306	210	47	78	441
3028I	30 x 28 (1.18) x (1.10)	M8	8 (.31)	2 (.08)	43	190	43	104	588	63	14	22	124
3028C						352	79	192	1087	117	26	41	230
3028M						570	128	312	1763	189	42	66	373
3030I	30 x 30 (1.18) x (1.18)	M8	8 (.31)	2 (.08)	43	182	41	89	503	61	47	20	113
3030C						337	76	165	930	113	25	37	209
3030M						546	123	267	1509	183	41	60	339
3035I	30 x 30 (1.18) x (1.18)	M8	8 (.31)	2 (.08)	43	167	38	66	373	56	47	16	90
3035C						309	69	122	690	104	23	30	167
3035M						501	113	198	1119	168	38	48	271
3040I	30 x 40 (1.18) x (1.57)	M8	8 (.31)	2 (.08)	43	158	36	52	294	53	31	13	73
3040C						292	66	96	544	98	22	24	136
3040M						474	107	156	882	159	36	39	220
4020I	40 x 20 (1.57) x (.79)	M8	8 (.31)	2 (.08)	43	588	132	533	3012	196	44	65	367
4020C						1088	245	986	5572	363	82	120	680
4020M						1764	397	1599	9036	588	132	195	1102
4025I	40 x 25 (1.57) x (.98)	M8	8 (.31)	2 (.08)	43	433	97	271	1531	144	32	45	254
4025C						801	180	501	2833	266	60	83	470
4025M						1299	292	813	4594	432	97	135	763

C-Mounts



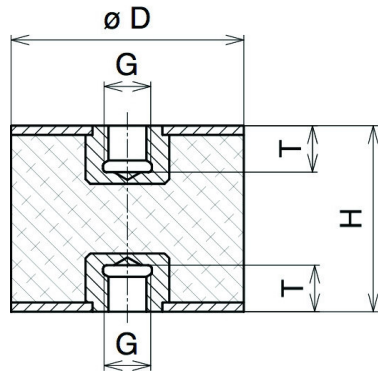
Part Number	Dia. x Height mm (Inch) (D) x (H)	Thread (G)	Depth mm (Inch) (T)	Thickness mm (Inch) (S)	Quality NR ShoreA Duro	Compression				Shear			
						Max. Static Load		Spring Rate Ks		Max. Static Load		Spring Rate Ks	
						N	lbs	N/mm	lbs/in	N	lbs	N/mm	lbs/in
4030I	40 x 30 (1.57) x (1.18)	M8	8 (.31)	2 (.08)	43	366	82	174	983	122	27	34	192
4030C					57	152	322	1819	226	51	63	355	
4030M					68	247	522	2950	366	82	102	576	
4035I	40 x 35 (1.57) x (1.38)	M8	8 (.31)	2 (.08)	43	330	74	127	718	110	25	28	158
4035C					57	137	235	1328	204	46	52	293	
4035M					68	223	381	2153	330	74	84	475	
4040I	40 x 40 (1.57) x (1.57)	M8	8 (.31)	2 (.08)	43	307	69	99	559	102	23	23	130
4040C					57	128	183	1035	189	42	43	240	
4040M					68	207	297	1678	306	69	69	390	
5030I	50 x 30 (1.97) x (1.18)	M10	10 (.39)	2 (.08)	43	801	180	498	2814	267	47	70	396
5030C					57	333	921	5206	494	111	130	732	
5030M					68	540	1494	8443	801	180	210	1187	
5035I	50 x 35 (1.97) x (1.38)	M10	10 (.39)	2 (.08)	43	654	147	310	1752	218	31	53	300
5035C					57	272	574	3241	403	91	98	554	
5035M					68	441	930	5256	654	147	159	899	
5040I	50 x 40 (1.97) x (1.57)	M10	10 (.39)	2 (.08)	43	575	129	220	1243	192	43	43	243
5040C					57	239	407	2300	355	80	80	450	
5040M					68	388	660	3730	576	129	129	729	
5045I	50 x 45 (1.97) x (1.77)	M10	10 (.39)	2 (.08)	43	526	118	169	955	175	39	36	203
5045C					57	219	313	1767	324	73	67	376	
5045M					68	355	507	2865	525	118	108	610	
5050I	50 x 50 (1.97) x (1.97)	M10	10 (.39)	2 (.08)	43	493	111	137	774	164	37	31	175
5050C					57	205	253	1432	303	68	57	324	
5050M					68	332	411	2323	492	111	93	526	
5055I	50 x 55 (1.97) x (2.17)	M10	10 (.39)	2 (.08)	43	470	106	114	644	157	35	27	153
5055C					57	195	211	1192	290	65	50	282	
5055M					68	317	342	1933	471	106	81	458	
5065I	50 x 65 (1.97) x (2.56)	M10	10 (.39)	2 (.08)	43	439	99	86	486	146	33	22	124
5065C					57	183	159	899	270	61	41	230	
5065M					68	296	258	1458	438	98	66	373	
5075I	50 x 57 (1.97) x (2.24)	M10	10 (.39)	2 (.08)	43	419	94	69	390	140	31	18	102
5075C					57	174	128	721	259	58	33	188	
5075M					68	283	207	1170	420	94	54	305	

C-Mounts



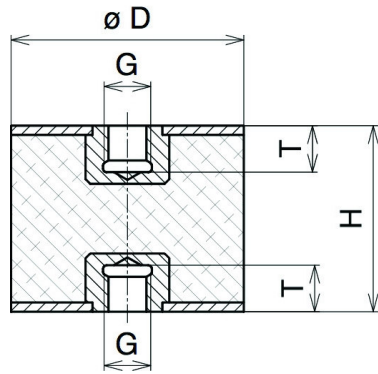
Part Number	Dia. x Height mm (Inch) (D) x (H)	Thread (G)	Depth mm (Inch) (T)	Thickness mm (Inch) (S)	Quality NR ShoreA Duro	Compression				Shear			
						Max. Static Load		Spring Rate Ks		Max. Static Load		Spring Rate Ks	
						N	lbs	N/mm	lbs/in	N	lbs	N/mm	lbs/in
7540I	75 x 40 (2.95) x (1.57)	M12	12 (.47)	3 (.12)	43	1649	371	612	3459	550	124	94	531
7540C					57	3051	686	1132	6398	1018	229	174	983
7540M					68	4947	1112	1836	10376	1650	371	282	1594
7545I	75 x 45 (2.95) x (1.77)	M12	12 (.47)	3 (.12)	43	1461	328	457	2583	487	109	79	446
7540C					57	2703	608	845	4778	901	203	146	826
7545M					68	4383	985	1371	7748	1461	328	237	1339
7550I	75 x 50 (2.95) x (1.97)	M12	12 (.47)	3 (.12)	43	1355	305	361	2040	455	102	68	384
7550C					57	2507	564	668	3774	842	189	126	711
7550M					68	4065	914	1083	6120	1365	307	204	1153
7555I	75 x 55 (2.95) x (2.17)	M12	12 (.47)	3 (.12)	43	1246	280	297	1678	415	93	60	339
7555C					57	2305	518	549	3105	768	173	111	627
7555M					68	3738	840	891	5035	1245	280	180	1017
7560I	75 x 60 (2.95) x (2.36)	M12	12 (.47)	3 (.12)	43	1179	265	251	1418	393	88	54	305
7560C					57	2181	490	464	2624	727	163	100	565
7560M					68	3537	795	753	4255	1179	265	162	915
7570I	75 x 70 (2.95) x (2.76)	M12	12 (.47)	3 (.12)	43	1088	245	191	1079	363	82	42	237
7570C					57	2013	452	353	1997	672	151	78	439
7570M					68	3264	734	573	3238	1089	245	126	712
7575I	75 x 75 (2.95) x (2.95)	M12	12 (.47)	3 (.12)	43	1035	233	158	893	345	78	39	220
7575C					57	1915	430	292	1652	638	143	72	408
7575M					68	3105	698	474	2679	1035	233	117	661
75100I	75 x 100 (2.95) x (3.94)	M12	12 (.47)	4 (.16)	43	955	215	110	622	318	71	29	164
75100C					57	1767	397	204	1150	588	132	54	303
75100M					68	2865	644	330	1865	954	214	87	492

C-Mounts



Part Number	Dia. x Height mm (Inch) (D) x (H)	Thread (G)	Depth mm (Inch) (T)	Thickness mm (Inch) (S)	Quality NR ShoreA Duro	Compression				Shear			
						Max. Static Load		Spring Rate Ks		Max. Static Load		Spring Rate Ks	
						N	lbs	N/mm	lbs/in	N	lbs	N/mm	lbs/in
1040I 1040C 1040M	100 x 40 (3.94) x (1.57)	M16	16 (.63)	4 (.16)	43 57 68	4279 7916 12837	962 1780 2886	1813 3354 5439	10246 18954 30737	1426 2638 4278	321 593 962	190 352 570	1074 1986 3221
1045I 1045C 1045M	100 x 45 (3.94) x (1.77)	M16	16 (.63)	4 (.16)	43 57 68	3548 6564 10644	798 1476 2393	1241 2296 3723	7013 12974 21039	1183 2189 3549	266 492 798	157 290 471	887 1641 2662
1050I 1050C 1050M	100 x 50 (3.94) x (1.97)	M16	16 (.63)	4 (.16)	43 57 68	3090 5717 9270	695 1285 2084	920 1702 2760	5199 9618 15597	1030 1906 3090	232 428 695	133 246 399	752 1390 2255
1055I 1055C 1055M	100 x 55 (3.94) x (2.17)	M16	16 (.63)	3 (.12)	43 57 68	2780 5143 8340	625 1156 1875	720 1332 2160	4069 7527 12207	927 1715 2781	208 386 625	116 215 348	656 1213 1967
1060I 1060C 1060M	100 x 60 (3.94) x (2.36)	M16	16 (.63)	3 (.12)	43 57 68	2558 4732 7674	575 1064 1725	587 1086 1761	3317 6137 9952	853 1578 2559	192 355 575	103 191 309	582 1077 1746
1065I 1065C 1065M	100 x 65 (3.94) x (2.56)	M16	16 (.63)	3 (.12)	43 57 68	2393 4427 7179	538 995 1614	492 910 1476	2780 5144 8341	798 1476 2394	179 332 538	92 170 276	520 962 1560
1070I 1070C 1070M	100 x 70 (3.94) x (2.76)	M16	16 (.63)	3 (.12)	43 57 68	2265 4190 6795	509 942 1528	423 783 1269	2390 4422 7171	755 1397 2265	170 314 509	84 155 252	475 878 1424
1075I 1075C 1075M	100 x 75 (3.94) x (2.95)	M16	16 (.63)	3 (.12)	43 57 68	2164 4003 6492	486 900 1459	369 683 1107	2085 3858 6256	721 1334 2163	162 300 486	77 142 231	435 805 1305
1080I 1080C 1080M	100 x 80 (3.94) x (3.15)	M16	16 (.63)	3 (.12)	43 57 68	2081 3850 6243	468 865 1403	327 605 981	1848 3419 5544	694 1284 2082	156 289 468	70 130 210	396 732 1187
10100I 10100C 10100M	100 x 100 (3.94) x (3.94)	M16	16 (.63)	4 (.16)	43 57 68	1867 3454 5601	420 776 1259	223 413 669	1260 2331 3781	622 1151 1866	140 259 419	54 100 162	305 565 915
10140I 10140C 10140M	100 x 140 (3.94) x (5.51)	M16	16 (.63)	4 (.16)	43 57 68	1672 3093 5016	376 695 1128	135 250 405	763 1411 2289	557 1030 1671	125 232 376	36 67 108	203 376 610

C-Mounts



Part Number	Dia. x Height mm (Inch) (D) x (H)	Thread (G)	Depth mm (Inch) (T)	Thickness mm (Inch) (S)	Quality NR ShoreA Duro	Compression				Shear			
						Max. Static Load		Spring Rate Ks		Max. Static Load		Spring Rate Ks	
						N	lbs	N/mm	lbs/in	N	lbs	N/mm	lbs/in
1250I	120 x 50 (4.72) x (1.97)	M16	16 (.63)	4 (.16)	43	5298	1191	1605	9070	1766	161	196	1108
1250C					9801	2203	2969	16780	3267	734	363	2049	
1250M					15894	3573	4815	27211	5298	1191	588	3323	
1260I	125 x 60 (4.92) x (2.36)	M16	16 (.63)	4 (.16)	43	4714	1060	1089	6154	1571	353	162	915
1260C					8721	1961	2015	11385	2906	653	300	1694	
1260M					14142	3179	3267	18463	4713	1060	486	2746	
1275I	125 x 75 (4.92) x (2.95)	M16	16 (.63)	4 (.16)	43	3833	862	658	3719	1278	287	120	678
1275C					7091	1594	1217	6879	2364	532	222	1255	
1275M					11499	2585	1974	11156	3834	862	360	2034	
1550I	150 x 50 (5.91) x (1.97)	M16	16 (.63)	5 (.20)	43	9921	2230	2884	16298	3307	743	293	1656
1550C					18354	4126	5335	30152	6118	1375	542	3063	
1550M					29763	6691	8652	48894	9921	2230	879	4967	
1575I	150 x 75 (5.91) x (2.95)	M16	16 (.63)	5 (.20)	43	6143	1381	1034	5843	2048	460	170	961
1575C					11365	2555	1913	10810	3789	852	315	1777	
1575M					18429	4143	3102	17530	6144	1381	510	2882	
2075I	200 x 75 (7.87) x (2.95)	M20	20 (.79)	5 (.20)	43	13442	3022	2211	12495	4481	1007	295	1667
2075C					24868	5590	4090	23115	8290	1864	546	3084	
2075M					40326	9066	6633	37485	13443	3022	885	5001	
20100I	200 x 100 (7.87) x (3.94)	M20	20 (.79)	5 (.20)	43	10342	2325	1205	6810	3447	775	209	1181
20100C					19133	4301	2229	12598	6377	1434	387	2185	
20100M					31026	6975	3615	20429	10341	2325	627	3543	